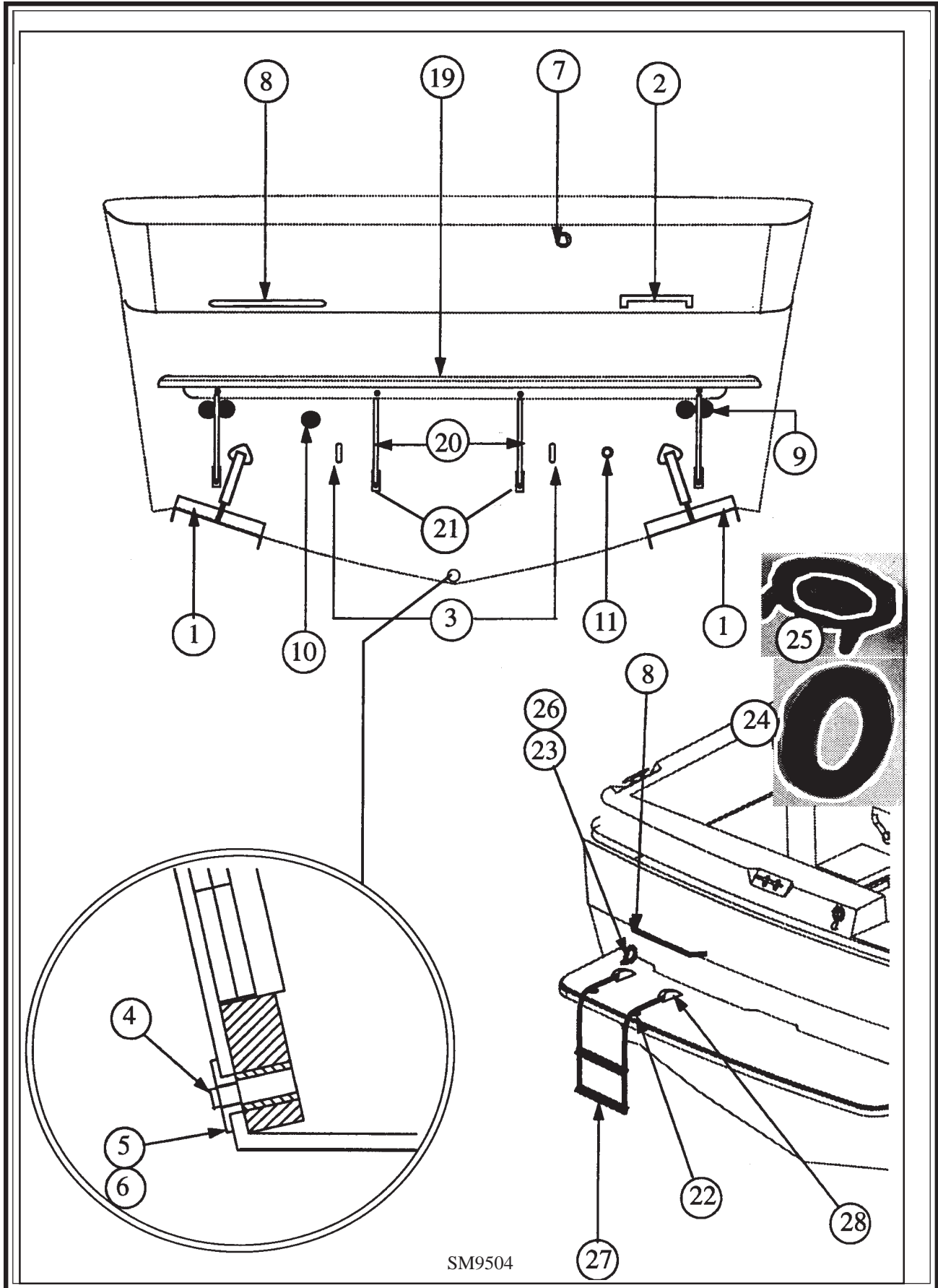


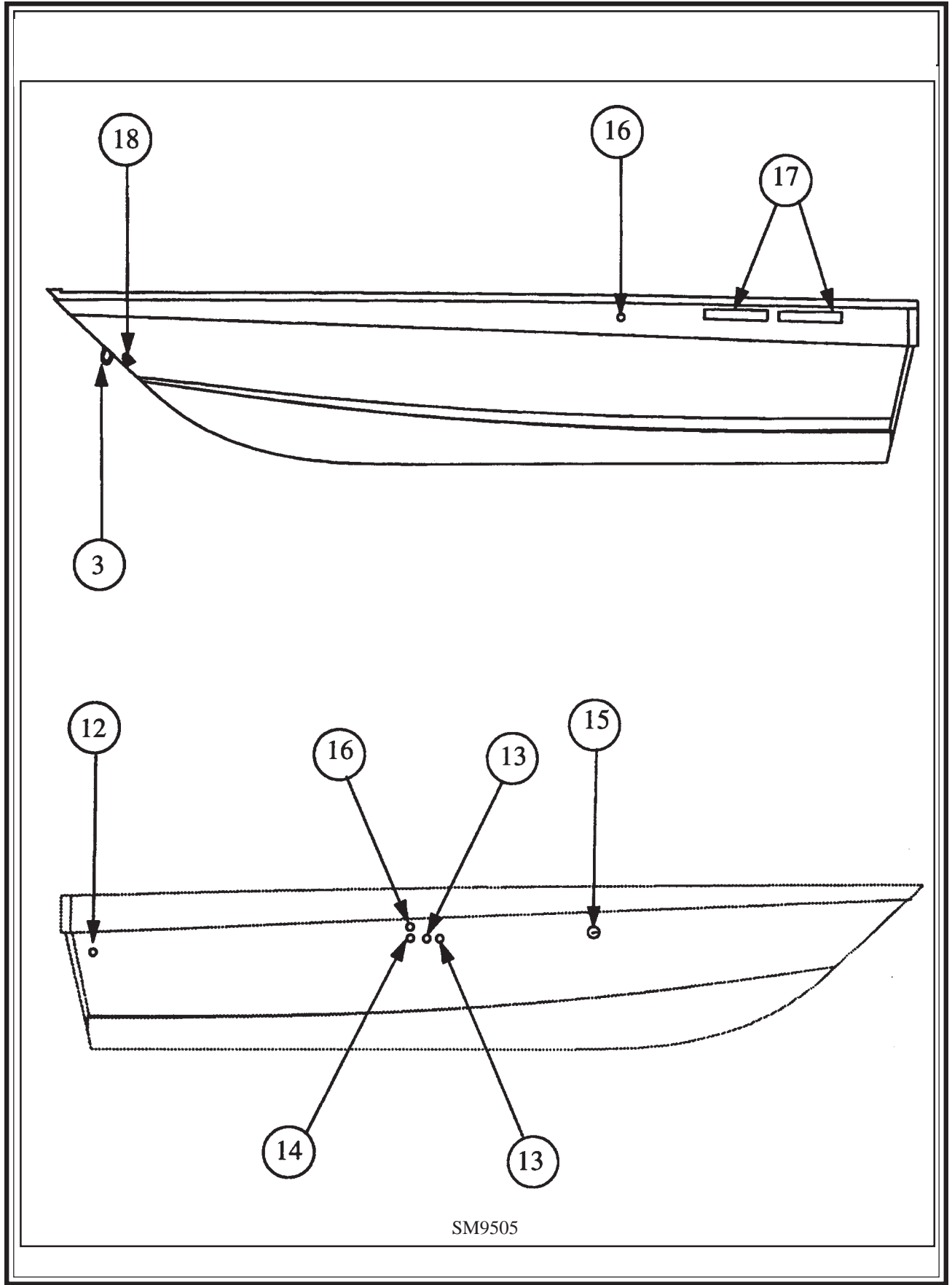
SECTION NO.	TITLE	PAGE
1)	<b><u>COVERINGS</u></b> .....	2
	Vinyls, fabrics, gelcoat, wood, laminates, misc. materials	
2)	<b><u>HULL HARDWARE</u></b> .....	3
	Hull carpet, ext. hardware, swim step/platform, braces & ladder assy	
3)	<b><u>DECK HARDWARE</u></b> .....	6
	Gunnel, bow/taff/stern/grab/hand/console rails, radar wing, bow platform, deck hatches & trim, deck carpet	
4)	<b><u>COMMAND BRIDGE HARDWARE</u></b> .....	12
	Rails, hardware, carpet, console Rails, headliner & carpet, hardware, overhead console	
6)	<b><u>INTERIOR HARDWARE</u></b> .....	14
	Table assy, propane system, port dash and helm console	
7)	<b><u>UPHOLSTERY</u></b> .....	17
	All uph, materials, foam, uph rails and hardware	
8)	<b><u>TAPES AND LABELS</u></b> .....	21
	Hull, interior, exterior, deck, C/B & H/T tapes and labels	
9)	<b><u>WINDSHIELD</u></b> .....	23
	Windshield system, windscreen, fasteners and related hardware	
10)	<b><u>ELECTRICAL</u></b> .....	25
	Wiring harness, gen. sys, air cond., int/ext lights, gauges, switches, panels console & instruments, audio-visual, communication, radar/autopilot	
11)	<b><u>CANVAS</u></b> .....	27
	Canvas is no longer available. Go to <a href="http://www.letastopshop.com">http://www.letastopshop.com</a>	
12)	<b><u>ENGINE AND CONTROL SYSTEMS</u></b> .....	28
	Engine systems, shifter & control cables, steering sys, fuel sys, vent sys	
13)	<b><u>MODULES</u></b> .....	29
	Entertainment center assy, entry door & trim, drip rails, hanging locker, head, galley, exterior bulkhead, vanity assy, plex doors, wood assemblies	
14)	<b><u>PLUMBING AND FIXTURES</u></b> .....	31
	Bilge pump, baitwell, shower, marine head, fresh water, sink/deck/c/b drain systems	
15)	<b><u>MANUFACTURING SUPPLIES</u></b> .....	39
	Manuals, shipping materials, basic manufacturing supplies	
16)	<b><u>FACTORY INSTALLED OPTIONS</u></b> .....	40
18)	<b><u>ENGINE OPTIONS</u></b> .....	41
	Engine systems & related hardware	

ITEM NO.	PART NUMBER	PART DESCRIPTION	U/M	QTY.
<b>CARPET/HEADLINER</b>				
*	58984	CARPET-CLOUD GREY	LY	
*	57586	CARPET-CLOUD GRAFIX	SY	
*	52594	HEADLINER- WHITE OPAL	LY	
<b>GELCOAT/PATCHPASTE/PAINT</b>				
*	F50-31943	GELCOAT-WHITE/WHITE	QT	
*	F55-31943	PATCH PASTE-WHITE/WHITE	EA	
*	7220	BASECOAT WHITE	QT	
<b>FABRIC/VINYL CANVAS</b>				
*	57921	VINYL-BUFF (EXTERIOR)	LY	
*	57695	VINYL-SAND SURF (EXTERIOR)	LY	
*	57587	FABRIC-FZ, ABERDEEN NATURAL	LY	
*	57697	VINYL-DYNASTY WHITE	LY	
*	58373	FABRIC- MONTEGO STEEL	LY	
*	57928	VINYL - PIERA BLUE	LY	
*	58181	FABRIC, LILY POND PEARL	LY	
*	55822	VINYL, MILER BLACK	LY	
*	57904	VINLY,AMBER	LY	
<b>WOOD FOR MODULES</b>				
*	58183	5/8" LAM PLY-LIGHT BEIGE		
*	NOT SHOWN			

ITEM NO.	PART NUMBER	PART DESCRIPTION	U/M	QTY.
<b>HULL EXTERIOR HARDWARE- AFT</b>				
1	14302	TRIM TAB-12X18 W/PUMP+INTRNL FITNGS	EA	1
2	2721	ALUM TRNSM STEP 10/	EA	1
3	4456	1/2" X 3 7/16" BOW EYE (RLED)	EA	3
4	50994	GARBOARD DRAIN PLUG	EA	1
5	50993	GARBOARD DRAIN FLANGE	EA	1
6	2402	8 X 1 PFH SILICON BRONZE	EA	2
7	1703	TANK VENT	EA	1
8	52841	SWIM STEP GRAB RAIL	EA	1
9	8492	DECK DRAIN THRU-HULL-1-1/2"	EA	4
10	11394	SCUPPER	EA	1
11	708	BAITWELL DRAIN -3/4"	EA	1
<b>HULL EXTERIOR PORT AND STARBOARD</b>				
12	708	AFT BILGE PUMP DRAIN-3/4"	EA	1
13	708	FWD BILGE PUMP & SHOWER DRAINS-3/4"	EA	2
14	708	HEAD SINK DRAIN-3/4"	EA	1
15	709	GALLEY SINK DRAIN-1-1/2"	EA	1
16	1703	TANK VENT-WATER/HOLDING	EA	2
17	60477	ENGINE VENT LOUVERS	EA	4
18	315-1	CLAM SHELLS MIDGET	EA	1
<b>SWIM STEP/PLATFORM</b>				
<b>19</b>	<b>85347</b>	<b>SWIM PLATFORM COMPLETE ASSEMBLY</b>	<b>EA</b>	<b>1</b>
*	SM-3-9	SWIM PLATFORM ONLY	EA	1
*	59287	ETCHED GUNNEL 12' NARROW W/CHAMFER	EA	1
*	1264	GUNWALE RUBBER, 1/2" BLACK	FT	12
*	9225	BLACK GUNNEL END CAP PORT	EA	1
*	9226	BLACK GUNNEL END CAP STBD	EA	1
*	53827	LABEL, BOARDING LADDER WARNING	EA	1
<b>SWIM PLATFORM BRACES</b>				
20	53693	BRACE SWIM STEP (FS) (FG)	EA	4
21	2353	PIVOT BRACKET	EA	4
<b>LADDER ASSEMBLY</b>				
*	57156	RAIL,LADDER,COMMAND BRIDGE	EA	1
22	K-5168	BUMPER	EA	4
23	12293	1" GRAY NYLON WEBBING	YD	1
24	89	TURNBUCKLE WASHER	EA	1
25	88	TURNBUCKLE EYE	EA	1
26	90	TURNBUCKLE STUD	EA	1
27	56181	TRANSOM LADDER W/STEP	EA	1
28	2353	PIVOT BRACKET	EA	2
* NOT SHOWN				
<b>SEE DRAWINGS ON FOLLOWING PAGE</b>				



SM9504

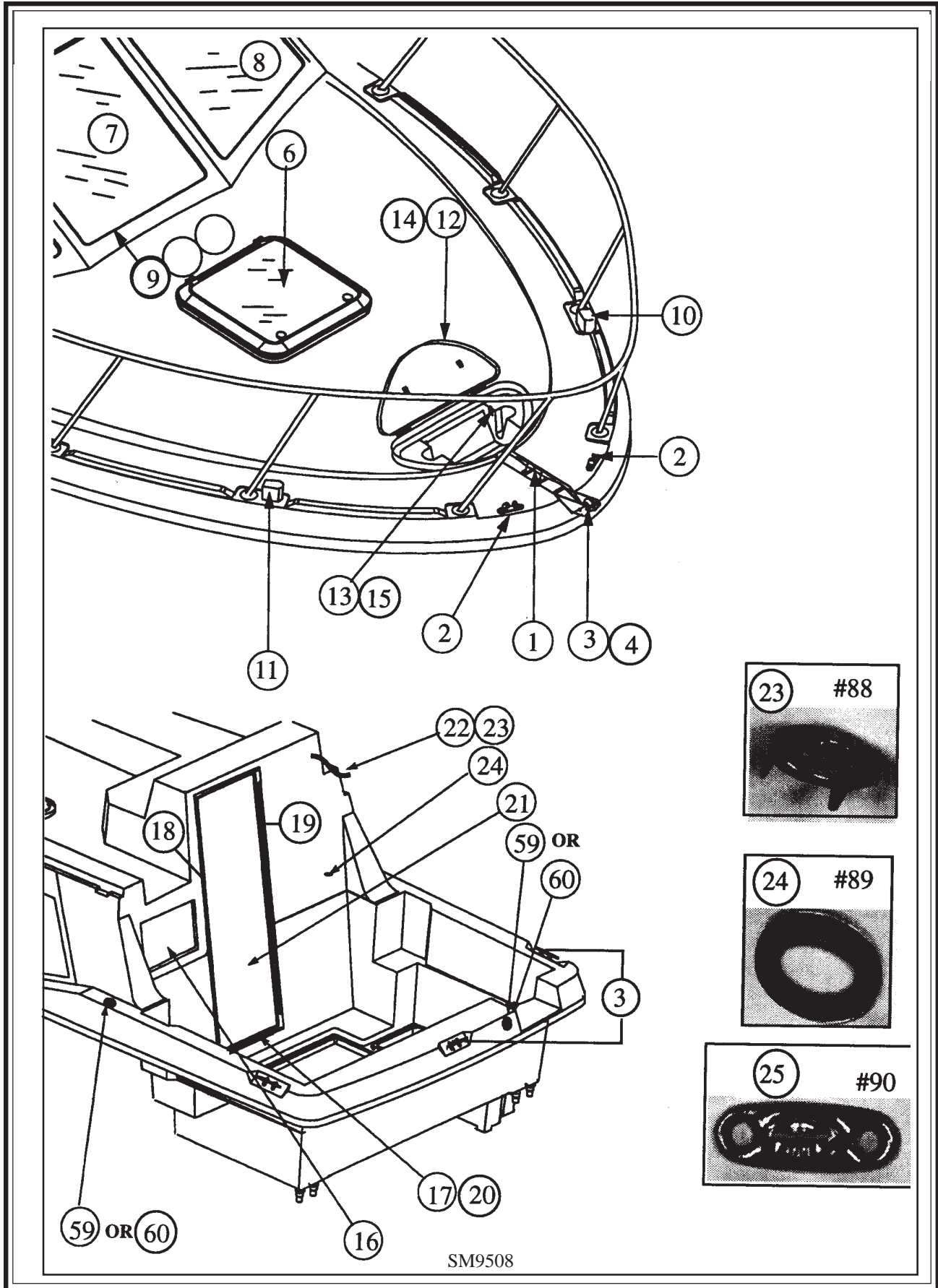


SM9505

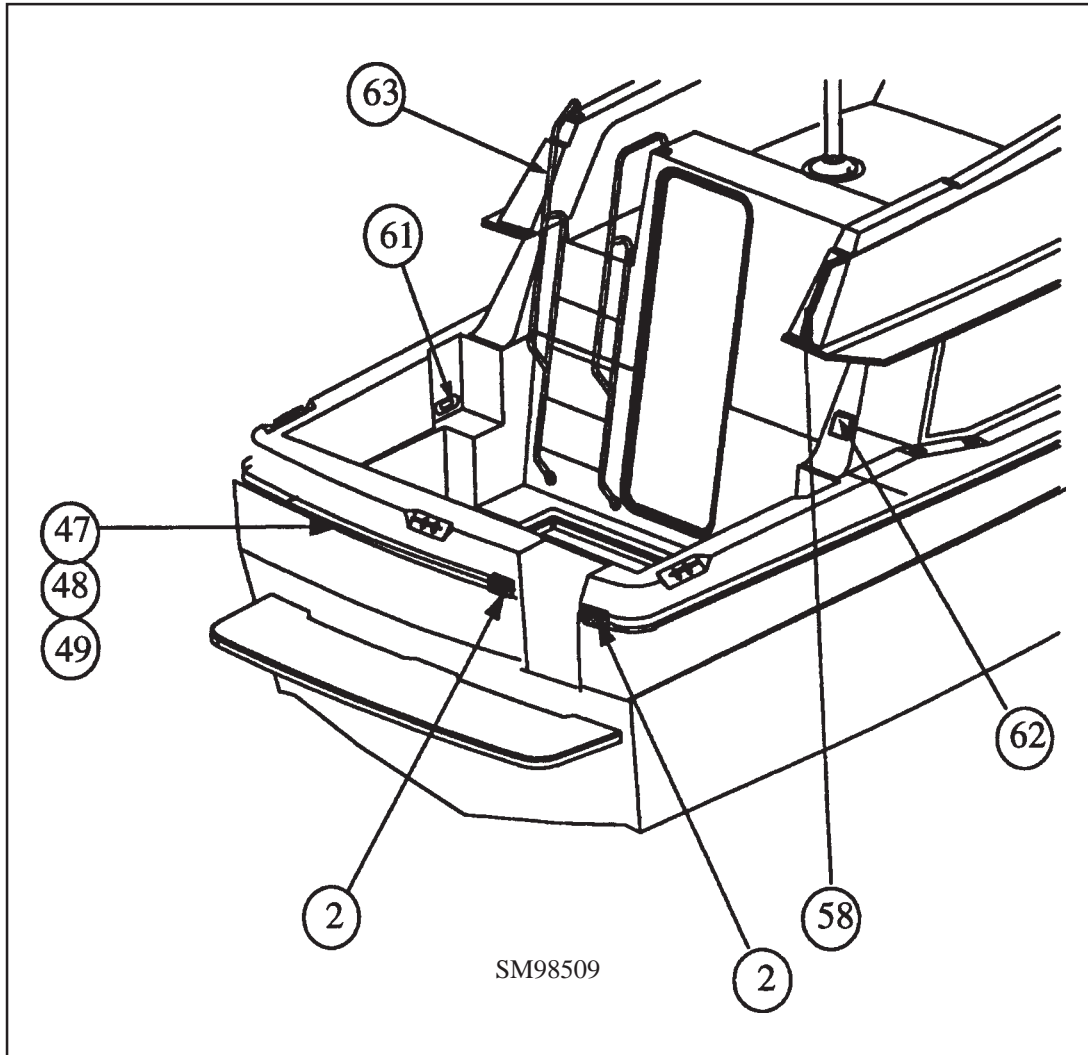
ITEM NO.	PART NUMBER	PART DESCRIPTION	U/M	QTY.
<b>FWD DECK HARDWARE</b>				
1	7769	CLEAT 10" 4-HOLE YACHT	EA	3
2	7814	CHROME CHOCK	PR	1
3	7821	CLEAT 8" 4-HOLE CHROME	EA	3
4	54545	FAIRLEAD W/NYLON ROLLER, 2 7/8" PIN	EA	1
5	53785	PIN Q-RELEASE 2 1/4" W/LANYARD 6"	EA	1
6	58964	BLACK ESCAPE HATCH W/WHITE ACRYLIC	EA	1
7	56391	CENTER PANEL DECK GLASS 3/16 CL SM	EA	1
8	56392	FORWARD PANEL DECK GLASS 3/16 CL SM	EA	2
9	57757	2-SIDED TAPE	RL	24
10	53582	NAVIGATION LIGHT, PORT -GREEN	EA	1
11	53583	NAVIGATION LIGHT, STBD-RED	EA	1
<b>CHAIN LOCKER LID</b>				
12	SM-3-6	CHAIN LOCKER LID ONLY	EA	1
13	36327	WHITE CATCH F/HATCH HINGE	EA	2
14	1477	HINGE	EA	2
15	35343-B	ANCHOR DEADEND	EA	1
<b>COCKPIT HARDWARE</b>				
16	57127	AFT BULKHEAD WINDOW 2858SM	EA	1
17	9304	SAFETY WALK	FT	2
18	59543	ENTRY DOORWAY TRIM,PORT,WHITE	EA	1
19	59544	ENTRY DOORWAY TRIM,STBD,WHITE	EA	1
20	59551	ENTRY DOOR STEP,23",3/4"POLAR STB	EA	1
21	59553	ENTRY DOOR,1/2"POLAR WHT STBD	EA	1
22	12293	1" GRAY NYLON WEBBING	YD	
23	88	TURNBUCKLE EYE	EA	1
24	89	TURNBUCKLE WASHER	EA	1
25	90	TURNBUCKLE STUD	EA	1
<b>ENGINE HATCH HARDWARE</b>				
26	SM-3-8	ENGINE HATCH	EA	1
27	56030	HINGE, ENGINE HATCH S.S.	EA	3
28	58282	GAS SHOCK 120#	EA	2
29	58283	"L" BRACKET, MED-S/S	EA	4
30	55352	HATCH LIFT 2.250"LONG	EA	2
31	51329	PLUNGER CATCH	EA	1
32	35343-B	ANCHOR DEADEND	EA	1
32A	88	TURNBUCKLE EYE	EA	2
32B	89	TURNBUCKLE WASHER	EA	2
32C	90	TURNBUCKLE STUD	EA	4
32D	12293	1" GRAY NYLON WEBBING	YD	16
<b>BAIT WELL HATCH</b>				
33	SM-3-7	BAITWELL HATCH ONLY	EA	2
34	1477	HINGE	EA	4
35	55352	HATCH LIFT 2.250"LONG	EA	2
<b>COCKPIT STORAGE DOOR HARDWARE</b>				
36	SM-5-3-9	COCKPIT STORAGE DOOR	EA	1
37	54078	HATCH RING 12 X 60 W/HINGE	EA	1
38	38379	BLACK FOAM SEAL	FT	12
39	39733	LIFT RING NON-LOCK W/ 3/8" OFFSET	EA	2
40	52814	ROD HOLDER	EA	4
41	7026	1/4" BUNGEE CORD	FT	3
42	9469	HOG RINGS S/S	EA	4

**DECK HARDWARE CONTINUED ON FOLLOWING PAGE,SEE DRAWINGS ON PAGES 8,9&10.**

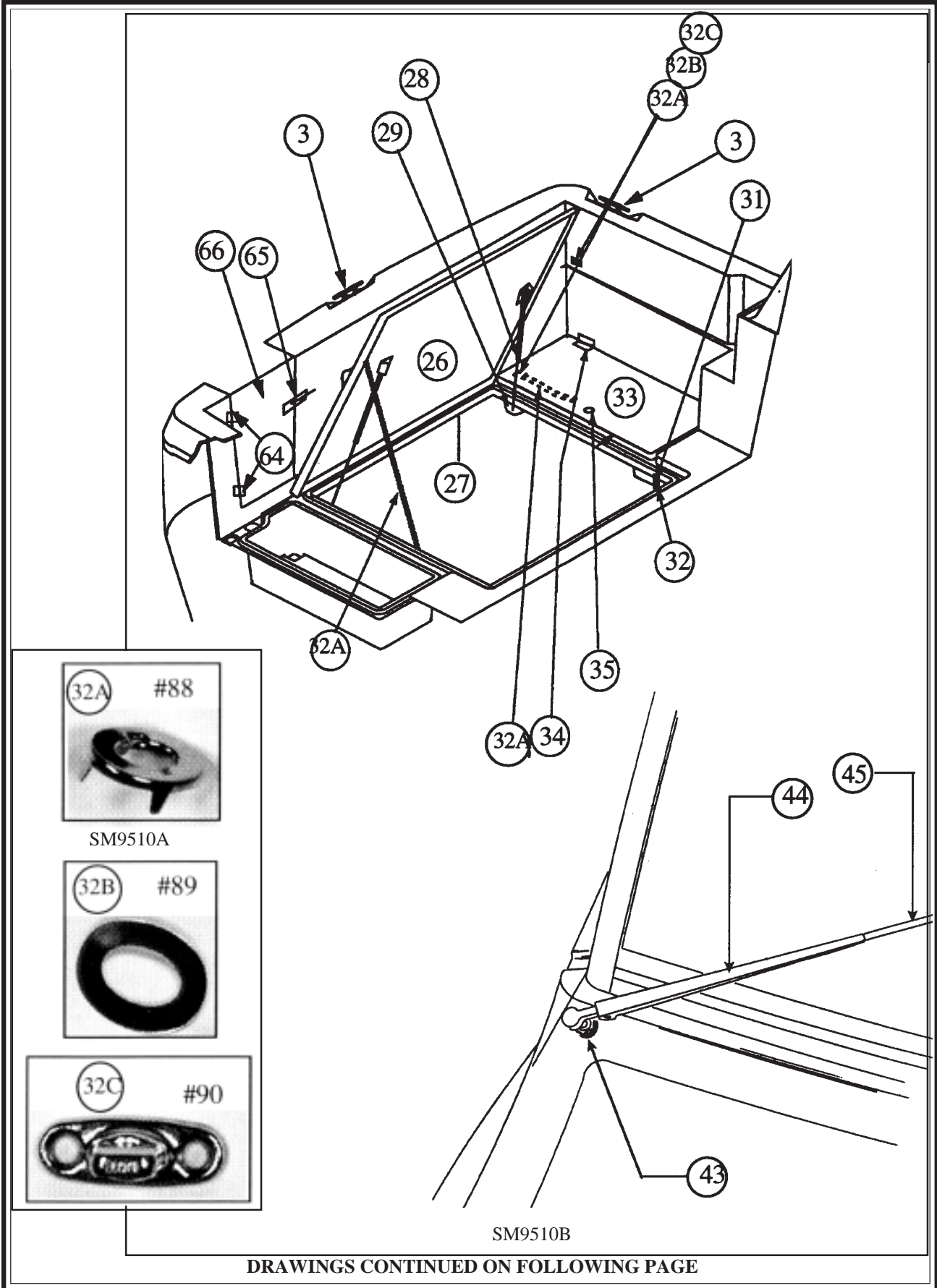
ITEM NO.	PART NUMBER	PART DESCRIPTION	U/M	QTY.
<b>WIPER HARDWARE</b>				
43	1021	WIPER MOTOR	EA	1
44	1363-A	WIPER BLADE H/D 16"	EA	1
45	1364-A	WIPER ARM H/D 12.5"	EA	1
*	35411	WIPER MOTOR COVER PUTTY (INTERIOR)	EA	1
<b>GUNNEL</b>				
46	1265	GUNWALE RUBBER, 3/4" BLACK	FT	70
47	59290	ETCHED GUNNEL 12' WIDE W/CHAMFER	EA	3
48	59289	ETCHED GUNNEL 10' WIDE W/CHAMFER	EA	3
49	59542	GUNNEL END CAP, BLACK, ABS	EA	2
<b>BOW RAIL ASSEMBLY</b>				
	<b>57385</b>	<b>SM BOW RAIL ASSEMBLY</b>	<b>EA</b>	<b>1</b>
50	57018	RAIL, BOW	EA	1
51	57019	RAIL, BOW, HEEL, STBD	EA	1
52	57017	RAIL, BOW, HEEL, PORT	EA	1
53	57053	STANCHION, 26 1/2"	EA	6
54	57052	STANCHION, 26"	EA	4
55	50106	60 DEG ROUND BASE NH	EA	12
56	50108	60 DEG RAIL TEE R & L NH	EA	22
<b>GRAB/HAND RAILS</b>				
57	52841	SWIM STEP GRAB RAIL	EA	1
58	33852	GRAB RAIL	EA	1
<b>AFT DECK HARDWARE</b>				
59	11992	GAS, FUEL FILL	EA	1
60	11995	DIESEL, FUEL FULL	EA	1
61	52928	LIGHT, DREAM WHITE	EA	2
62	274	DOCKSIDE POWER INLET	EA	1
63	57156	COMMAND BRIDGE LADDER	EA	1
<b>TRANSOM GATE</b>				
64	60739	HINGE, OVAL LEAF, S/S	PR	1
65	947 #2	BARREL BOLT	EA	1
*	34700	BUMPER	EA	1
*	1199 #1	DOOR HOOK	EA	1
66	85401	DOOR, ONLY	EA	1
<b>REMOVEABLE CARPET RUNNERS</b>				
*	59012	CARPET RUNNER KIT 95(COCKPIT ONLY)	EA	1
*	57586	CARPET-CLOUD GRAFIX	SY	7
*	53713	BINDING - GRAY	LY	13
*	81	SANP BUTTON	EA	23
*	82	SNAP SOCKET	EA	23
*	11563	SMALL BASE CANVAS STUD	EA	23
* NOT SHOWN				
<b>SEE DRAWINGS ON FOLLOWING PAGES</b>				



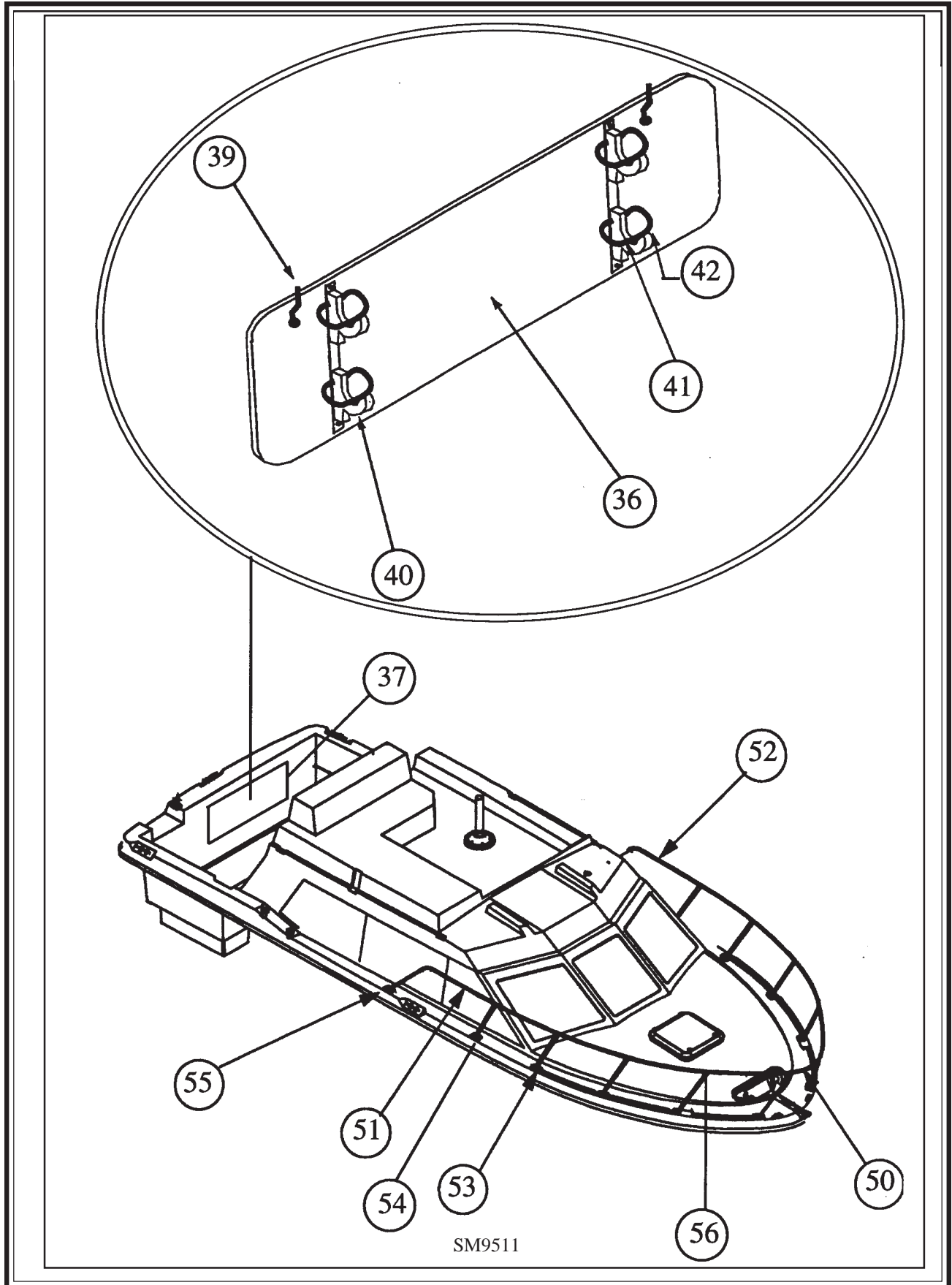




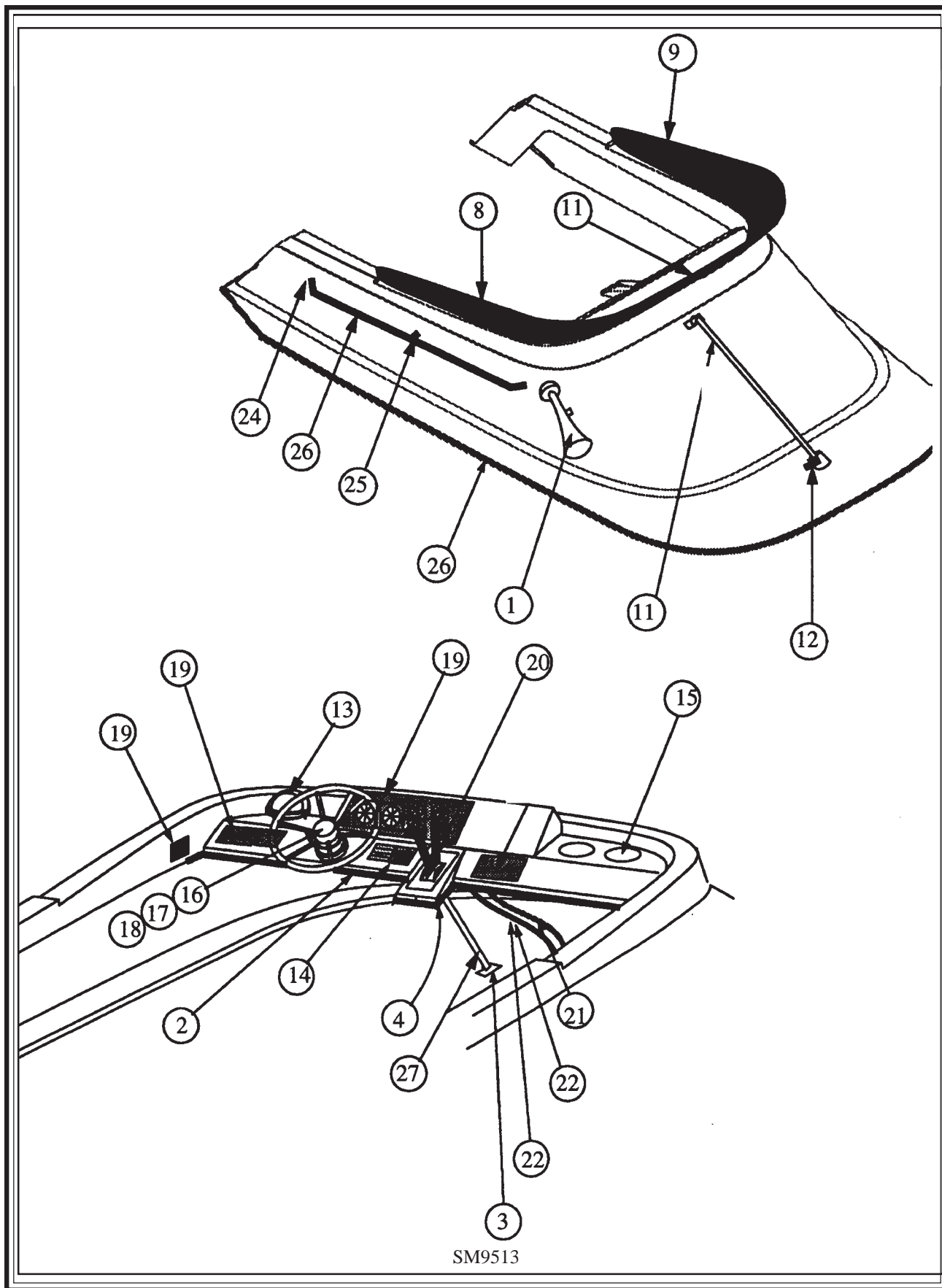
DRAWINGS CONTINUED ON FOLLOWING PAGES



DRAWINGS CONTINUED ON FOLLOWING PAGE

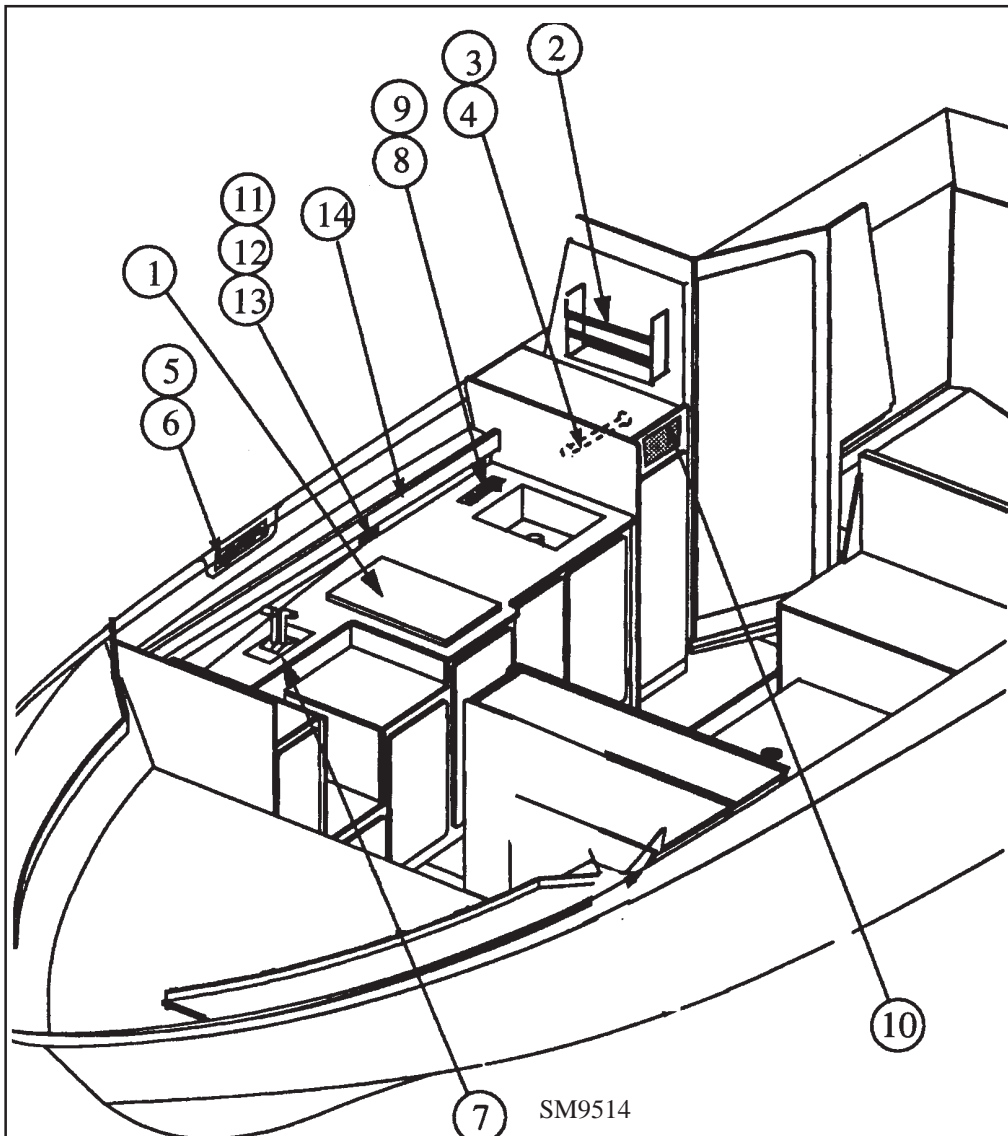


ITEM NO.	PART NUMBER	PART DESCRIPTION	U/M	QTY.
<b>COMMAND BRIDGE HARDWARE</b>				
1	12460-A	SGL TRUMPET HORN S/S	EA	1
*	59285	GUNNEL NARROW 15'6" BRITE DIP W/CHA	EA	1
*	1264	GUNWALE RUBBER, 1/2" BLACK	FT	14
*	9226	BLACK GUNNEL END CAP STBD	EA	2
*	9225	BLACK GUNNEL END CAP PORT	EA	2
*	33538	MOTOR WELL BOOT REINFORCEMENT RING	EA	1
*	31584	MOTOR WELL BOOT	EA	1
2	1937	EDGE 7/16" SCR 12	FT	9
3	50106	60 DEG ROUND BASE NH	EA	1
4	50101	90 DEG REC BASE NH	EA	1
5	57610	TRIM,STBD C/B,1/4" POLAR WHITE STBD	EA	1
6	57649	C/B TRIM CAP, PORT,SM	EA	1
7	57650	C/B TRIM CAP,STBD,SM	EA	1
8	57455	STBD WINDSCREEN	EA	1
9	57456	PORT WINDSCREEN	EA	1
10	57454	CENTER WINDSCREEN BRACKET	EA	1
11	14276	POLE LIGHT	EA	1
12	13187	POLE LIGHT HOLDER	EA	1
<b>C/B CONSOLE &amp; INSTRUMENTS</b>				
13	38200-A	COMPASS-3" DIAL FLSH MT W/PLUG	EA	1
14	4938	ROCKER SWITCH	EA	1
15	58874	CUPHOLDER DUAL STACK,BLACK	EA	2
16	55834	STEERING WHEEL	EA	1
17	11958	STEERING HELM ASSY	EA	1
18	11959	90 DEG. BEZEL	EA	1
19	56205	PANEL ASSEMBLY (GAS)	EA	1
19	58377	PANEL ASSEMBLY (DIESEL)	EA	1
20	53436	SHIFTER	EA	1
21	1427	SHIFTER CABLE	EA	1
22	1430	THROTTLE (GAS)	EA	1
22	1428	THROTTLE (DIESEL)	EA	1
<b>COMMAND BRIDGE RAILS</b>				
23	57250	RAIL,GRAB,C/B, P&S	EA	2
24	50103	60 DEG HND RL END NH	EA	4
25	50102	60 DEG HND RL CENTER NH	EA	2
26	1880	GUTTER W/LIP 12' (HARD TOP)	FT	32
* NOT SHOWN				
SEE DRAWINGS ON FOLLOWING PAGE				



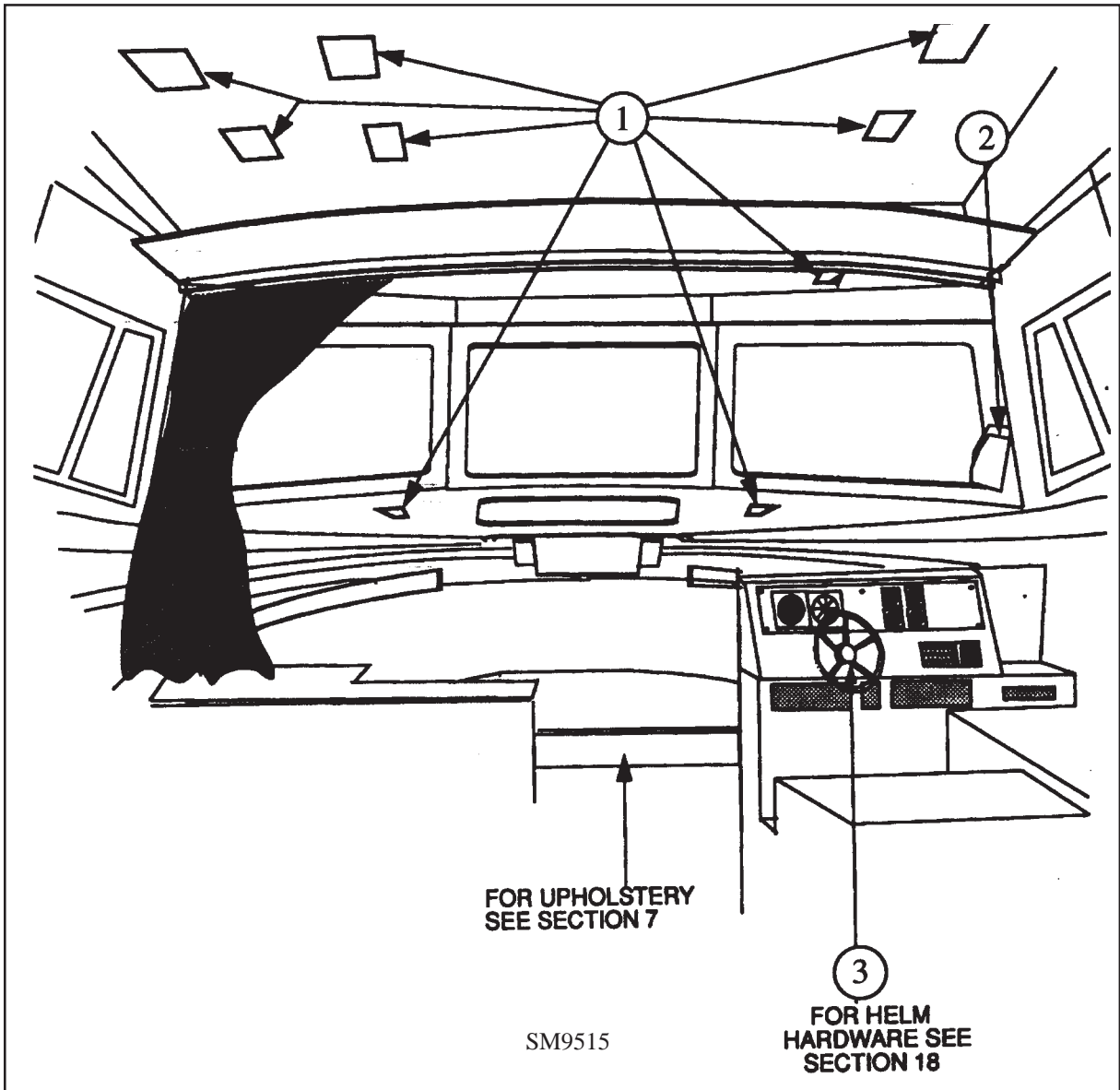
SM9513

ITEM NO.	PART NUMBER	PART DESCRIPTION	U/M	QTY.
<b>INTERIOR HARDWARE</b>				
1	10846	ALCOHOL ELECTRIC STOVE GLASS TOP	EA	1
2	SM130502	MAGAZINE RACK	EA	1
3	#W-1323-35	CLOSET POLE HOLDERS	ST	1
4	SM13-3-9	CLOSET POLE 12-3/4'	EA	1
5	9622	STEREO	EA	1
6	59205	COVER BOX	EA	1
7	53545	SHIFTER/THROTTLE	EA	1
8	53278	GALLEY FAUCET	EA	1
9	36267	GALLEY SINK	EA	1
10	D39919	CONTROL PANEL	EA	1
11	1179	WATER PUMP SWITCH PLATE	EA	1
12	2000	WATER PUMP SWITCH	EA	1
13	7330	SWITCH LABEL BACKING PLATE	EA	1
14	SM13-3-2	BACK SPLASH	EA	1



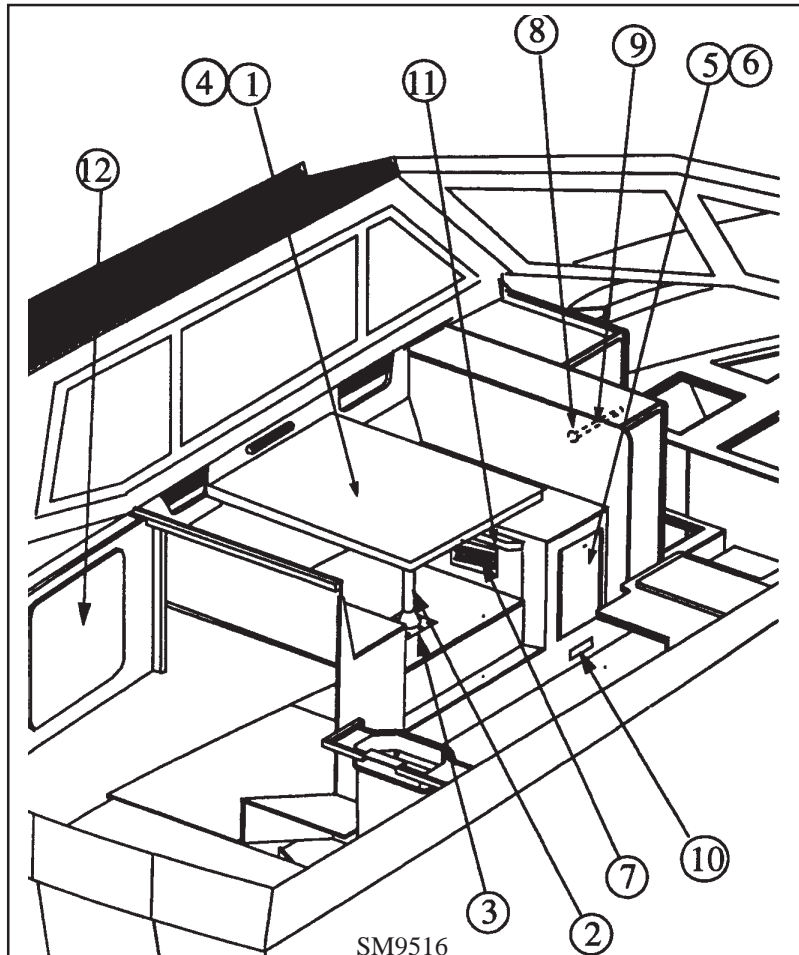
INTERIOR HARDWARE SECTION CONTINUED ON THE FOLLOWING PAGES

ITEM NO.	PART NUMBER	PART DESCRIPTION	U/M	QTY.
<b>INTERIOR HARDWARE (CONTINUED)</b>				
1	12361	INTERIOR LIGHTS	EA	12
2	35411	WIPER MOTOR COVER, PUTTY	EA	1
*	13168	SNAP CAP-BLACK	EA	18
*	13169	COUNTERSINK WASHER - CLEAR	EA	18
3	55838	STEERING WHEEL	EA	1



ITEM NO.	PART NUMBER	PART DESCRIPTION	U/M	QTY.
<b>DINETTE TABLE (FOLKSTONE CELESTA)</b>				
1	SM13-2-1	COMPLETE TABLE ASSEMBLY	EA	1
	SM13-2-1.01	TABLE TOP ONLY	EA	1
*	56408	TEAK-CIERA SEA RAIL.	LF	14
*	55692	CLEAT	EA	2
2	39729	30" TABLE LEG W/THREADS & FLANGE	EA	1
3	39730	TABLE BASE W/STUD	EA	1
4	13156	ROUND TABLE SUPPORT	EA	1
*	52814	ROD HOLDER (ABOVE DINETTE)	EA	2
*	7026	1/4" BUNGEE CORD	FT	2
*	9469	HOG RINGS S/S	EA	2
5	59492	REFRIGERATOR 110V	EA	1
6	SM1030208	REFER FACE,LIGHT BEIGE	EA	1
*	36000	STRESS RELIEF FITTING	EA	1
*	36192	LOCK NUT F/36000	EA	1
7	9980	REFER VENT LARGE	EA	2
8	#W-1323-35	CLOSET POLE HOLDERS	ST	1
9	SM13-2-6	CLOSET POLE 14-3/4"	EA	1
10	52928	COURTESY LIGHT	EA	1
11	SM13-2-5	DINETTE TABLE CLEAT	EA	2
12	SM13-1-1	AFT BERTH STOORAGE CABINET	EA	1

\* NOT SHOWN



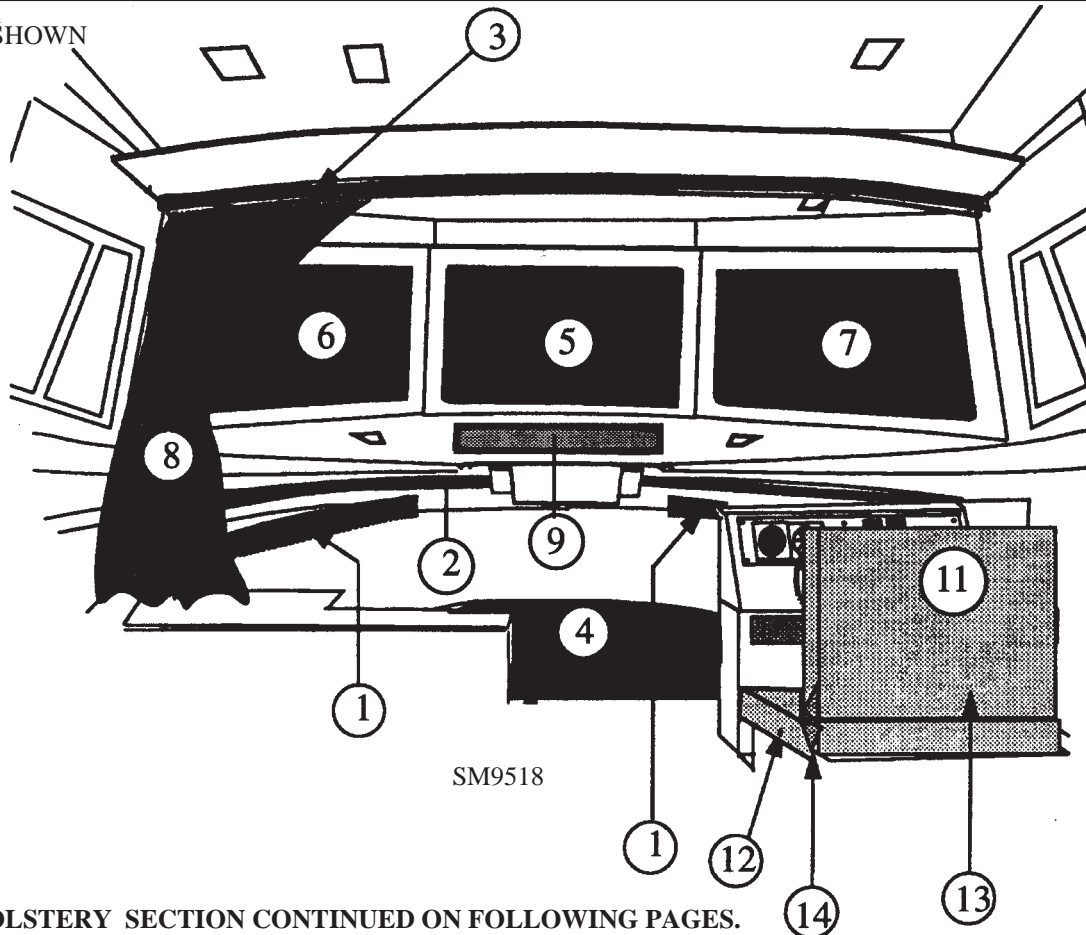


ITEM NO.	PART NUMBER	PART DESCRIPTION	U/M	QTY.
<b>GUNWALE PAD (VINYL-BUFF )</b>				
*	85348	PORT GUNWALE PAD	EA	1
*	85349	STBD GUNWALE PAD	EA	1
*	SM020503	HEAD GUNWALE PAD	EA	1
<b>INTERIOR CURTAINS</b>				
*	85350	DASH ACCESS CURTIAN(VINYL-BUFF )	EA	1
*	59607	COMPLETE CURTIAN KIT	EA	1
*	59607-A	PORT AFT SIDE CURTIAN	EA	1
*	59607-B	PORT FWD SIDE CURTIAN	EA	1
*	59607-C	STBD AFT CURTIAN	EA	1
*	59607-D	STBD FWD CURTIAN	EA	1
*	59607-E	AFTBERTH CURTIAN	EA	1
*	59607-F	AFTBERTH WINDOW CURTIAN	EA	1
*	59607-G	V/BERTH STBD CURTIAN	EA	1
*	59607-H	V/BERTH PORT CURTIAN	EA	1
*	59607-I	V/BERTH VELCRO SNAP ON	EA	1
*	59607-J	SHOWER CURTAIN DOOR	EA	1
*	59607-K	SHOWER WINDOW	EA	1
*	59607-L	SHOWER CURTIAN	EA	1
*	59607-U	CENTER DECK WINDOW COVER	EA	1
*	59607-V	ENTRY DOOR COVER	EA	1
*	59607-W	STBD O/B DECK WINDOW COVER	EA	1
*	59607-X	PORT O/B DECK CURTIAN	EA	1
*	59607-Y	V/B HATCH CURTIAN	EA	1
<b>CURTAIN HARDWARE</b>				
*	11537	NYLON WHEEL CARRY CURTAIN	EA	14
*	53305	LOOP- 5/8" VELCOINS BEIGE	EA	1
*	11536	I-BEAM CURTN.TRACK.	FT	10
*	11538	END STOP-CURTAIN-PLTD STL	EA	2
*	11539	CEILING BRACKET-CURTAIN	EA	6
*	81	SNAP BUTOON	EA	1
*	82	SNAP SOCKET	EA	1
*	86	SNAP STUD	EA	1
*	53304	HOOK- 5/8" VELCOINS BEIGE	EA	1
*	53305	LOOP- 5/8" VELCOINS BEIGE	EA	1
*	4330	WHITE VELCRO HOOK	LY	1
*	4331	WHITE VELCRO LOOP	LY	1
*	NOT SHOWN			

UPHOLSTERY SECTION CONTINUED ON FOLLOWING PAGES.

ITEM NO.	PART NUMBER	PART DESCRIPTION	U/M	QTY.
<b>V/BERTH UPHOLSTERY</b>				
1	SM14-4-1	SHELF PAD PORT AND STBD	EA	2
2	SM14-4-2	FWD. V/BERTH BOLSTER PAD	EA	2
3	SM14-4-4	CURTIAN TRACK PAD	EA	1
4	SM14-4-5	V/BERTH CUSHION	EA	1
5	59607-U	V/BERTH COVER CENTER (DYNASTY WHITE)	EA	1
6	59607-W	V/BERTH COVER PORT (DYNASTY WHITE)	EA	1
7	59607-X	V/BERTH COVER STBD (DYNASTYWHITE)	EA	1
8	59607-I	V/BERTH CURTIAN	EA	1
9	59607-Y	V/BERTH HATCH COVER	EA	1
<b>HELM UPHOLSTERY</b>				
10	SM14-4-6	DASH PAD	EA	1
*	85365	HELM STORAGE POUCH	EA	1
11	SM14-2-4	HELM SEAT COMPLETE (MONTEGO STEEL& BUFF )	EA	1
12	SM14-2-4.01	SEAT CUSHION	EA	1
13	SM14-2-4.02	SEAT BACK	EA	1
14	35496	359 BASS HINGE W/REVERSE BEND	PR	1
*	K-5168	BUMPER	EA	2
*	1132	TAKE APART HINGE	EA	2
*	1199 #1	HOOK DOOR SHORT	EA	1
<b>STBD SALON UPHOLSTERY(VINYL-BUFF )</b>				
*	SM14-2-1	STBD SALON BOLSTER PAD	EA	1
*	SM14-2-3	STBD SALON VALANCE	EA	1

\* NOT SHOWN



UPHOLSTERY SECTION CONTINUED ON FOLLOWING PAGES.

ITEM NO.	PART NUMBER	PART DESCRIPTION	U/M	QTY.
<b>DINETTE UPHOLSTERY (MONTEGO STEEL &amp; BUFF)</b>				
1	85351	FWD DINETTE CUSHION	EA	1
2	85352	AFT DINETTE CUSHION	EA	1
3	85353	FWD DINETTE BACK	EA	1
4	85354	AFT DINETTE BACK	EA	1
5	SM14-1-2	PORT VALANCE PAD	EA	1
*	85355	DINETTE FILLER CUSHION	EA	1
6	59607-A	PORT AFT CURTIAN	EA	1
7	59607-B	FORT FWD CURTIAN	EA	1
<b>AFT BERTH UPHOLSTERY (LILY POND PEARL)</b>				
8	85356	AFT BERTH MATTRESS	EA	1
9	85357	AFT BERTH CUSHION	EA	1
10	85358	AFT BERTH FILLER MATTRESS	EA	1
11	SM14-1-11	AFT BERTH POUCH	EA	1
12	SM14-1-7	PORT HATCH CUSHION	EA	1

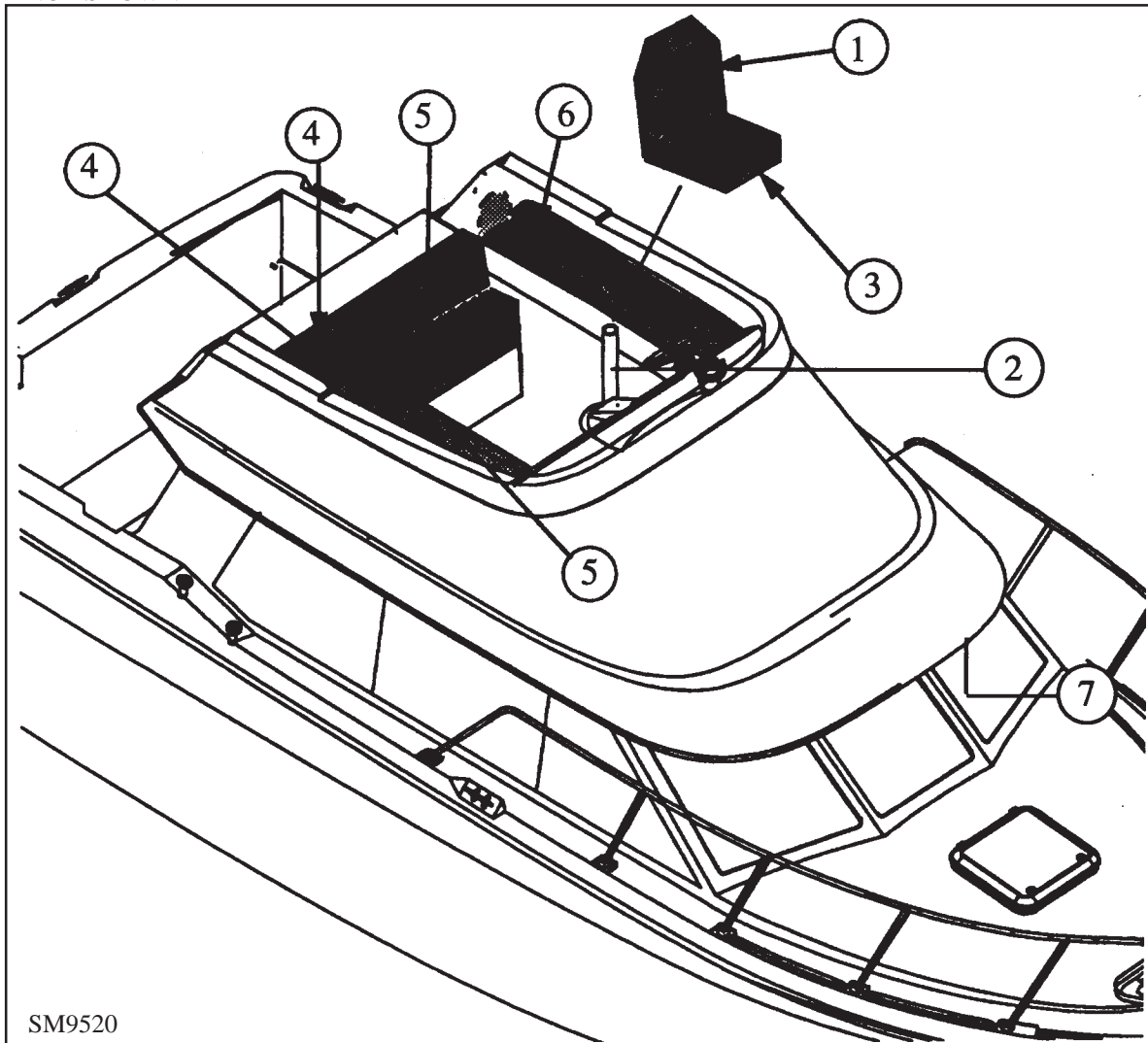
\* NOT SHOWN

SM9519

**UPHOLSTERY SECTION CONTINUED ON FOLLOWING PAGE**

ITEM NO.	PART NUMBER	PART DESCRIPTION	U/M	QTY.
<b>COMMAND BRIDGE UPHOLSTERY</b>				
1	85359	HELM SEAT COMPLETE ASSEMBLY	EA	1
2	32205	6" PED BASE 2-7/8 DIA	EA	1
3	9107	SLIDER F/PEDESTAL 2 7/8"	EA	1
4	85360	COMMAND BRIDGE "L" LOUNGE BACK	EA	1
5	85361	COMMAND BRIDGE "L" LOUNGE SEAT CUSHION	EA	1
6	SM15-1-3	PORT SIDE PANEL ASSEMBLY	EA	1
7	85362	HARDTOP VISOR (SATIN WHITE)	EA	1
*	85363	DASH COVER (MILER BLACK)	EA	1
*	85364	UPPER DASH CABLE COVER (DYNASTY WHITE)	EA	1

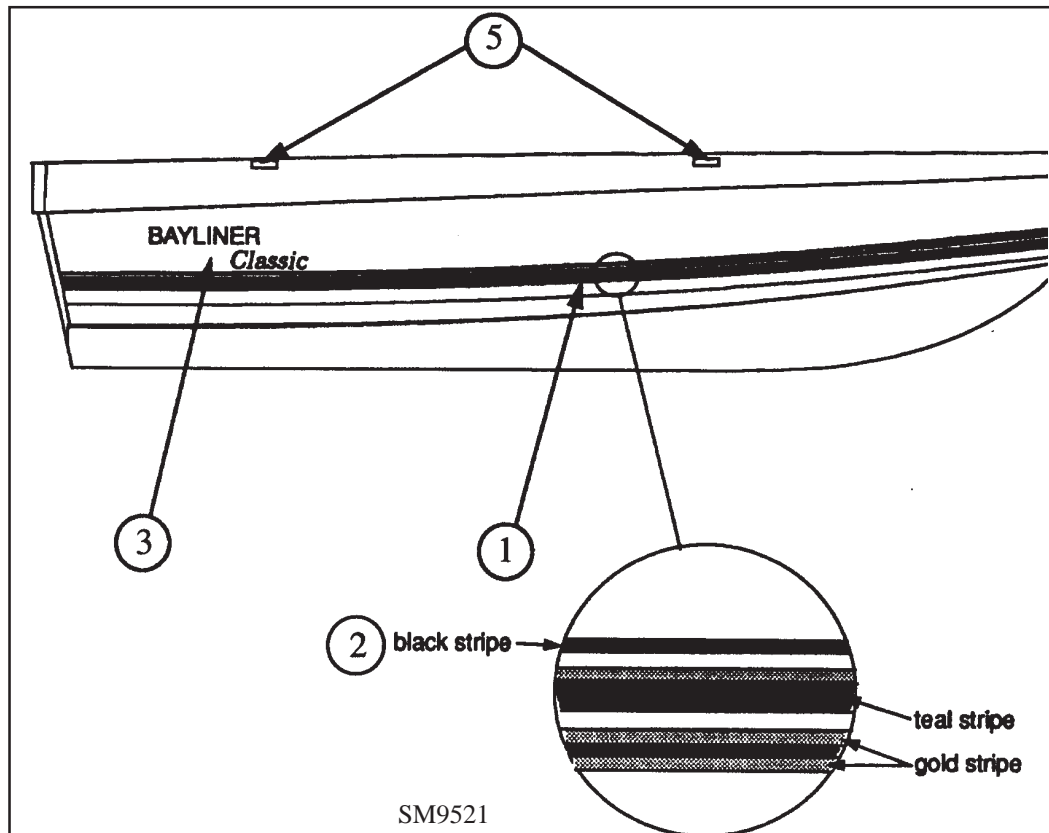
\* NOT SHOWN



SM9520

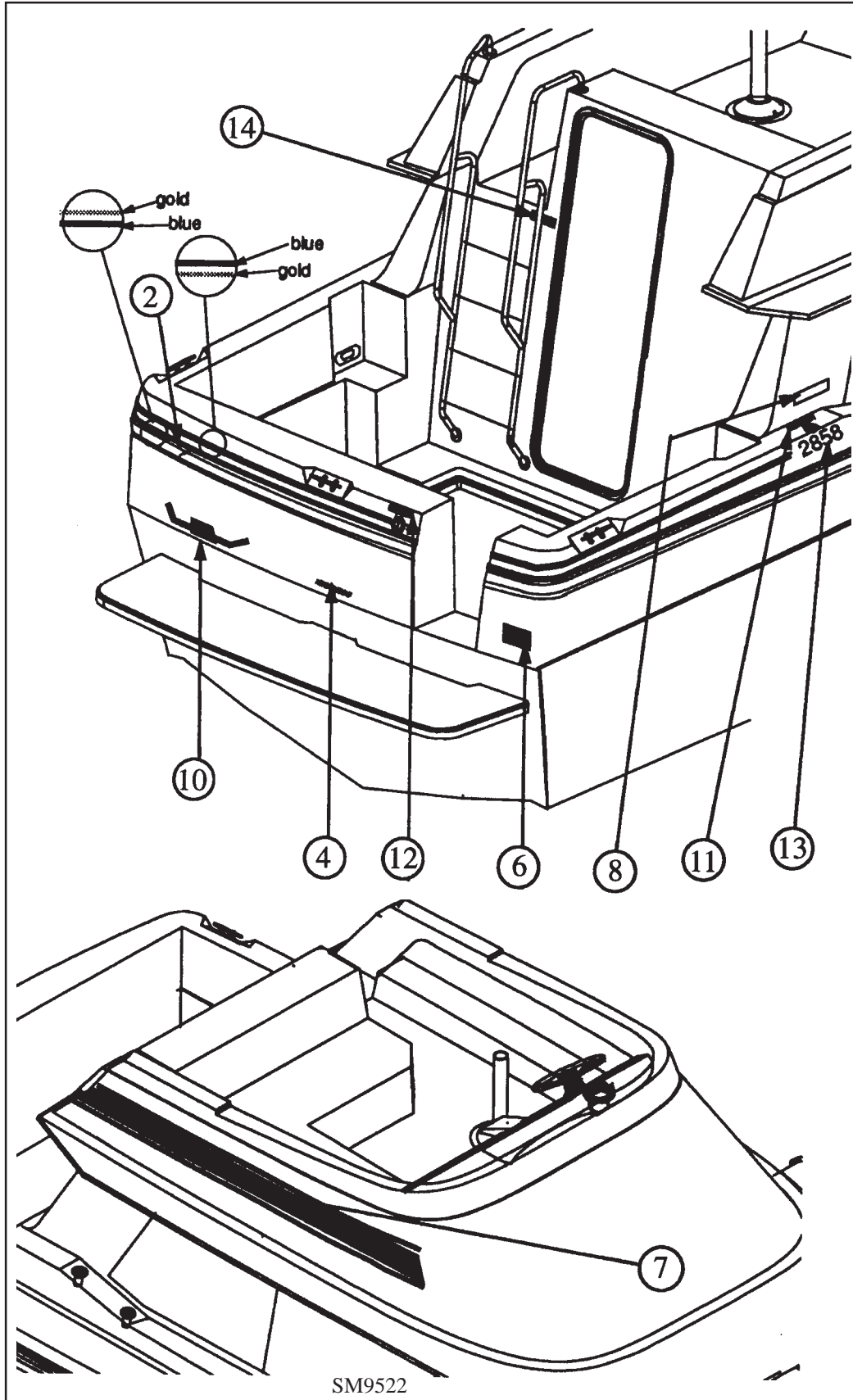
ITEM NO.	PART NUMBER	PART DESCRIPTION	U/M	QTY.
<b>HULL INTERIOR LABELS</b>				
*	OIL DEC	OIL DISCHARGE DECAL	EA	1
*	39331	GARBAGE DISCHARGE PLACARDS	EA	1
*	3885-A	BATT INSTALLATION/COMPL LABEL	EA	1
*	48034	USM SUBASSY QUALITY DECAL	EA	1
<b>HULL TAPES &amp; LABELS</b>				
1	58088	WATERLINE STRIPE, CLASSIC	FT	60
2	58086	DECK STRIPE, 1/2", CLASSIC	FT	70
3	58089	LOGO, BAYLINER CLASSIC	EA	2
4	8033	MARINE CORE LABEL	EA	1
5	11024	SLING LABEL	EA	4
6	55662	LABEL, USM THANKS/5YEAR/NMMA CLEAR	EA	1
<b>DECK TAPES AND LABELS</b>				
7	58087	DECK STRIPE, 3 1/8", CLASSIC	FT	15
*	636	TRIM TAB INS LABEL	EA	1
8	6336	LABEL SEQU. LIFT HULL	EA	2
9	52047	CARBON MONOXIDE HAZARD LABEL	EA	1
10	53827	SWIM WARNING STEP LABEL	EA	1
11	13120	POTABLE WATER LABEL	EA	1
12	32219	FUEL LABEL	EA	1
<b>C/B TAPES &amp; LABELS</b>				
13	58468	LOGO, 2858, CLASSIC	EA	2
14	736	MAX BRIDGE PER CAP	EA	1

\* NOT SHOWN



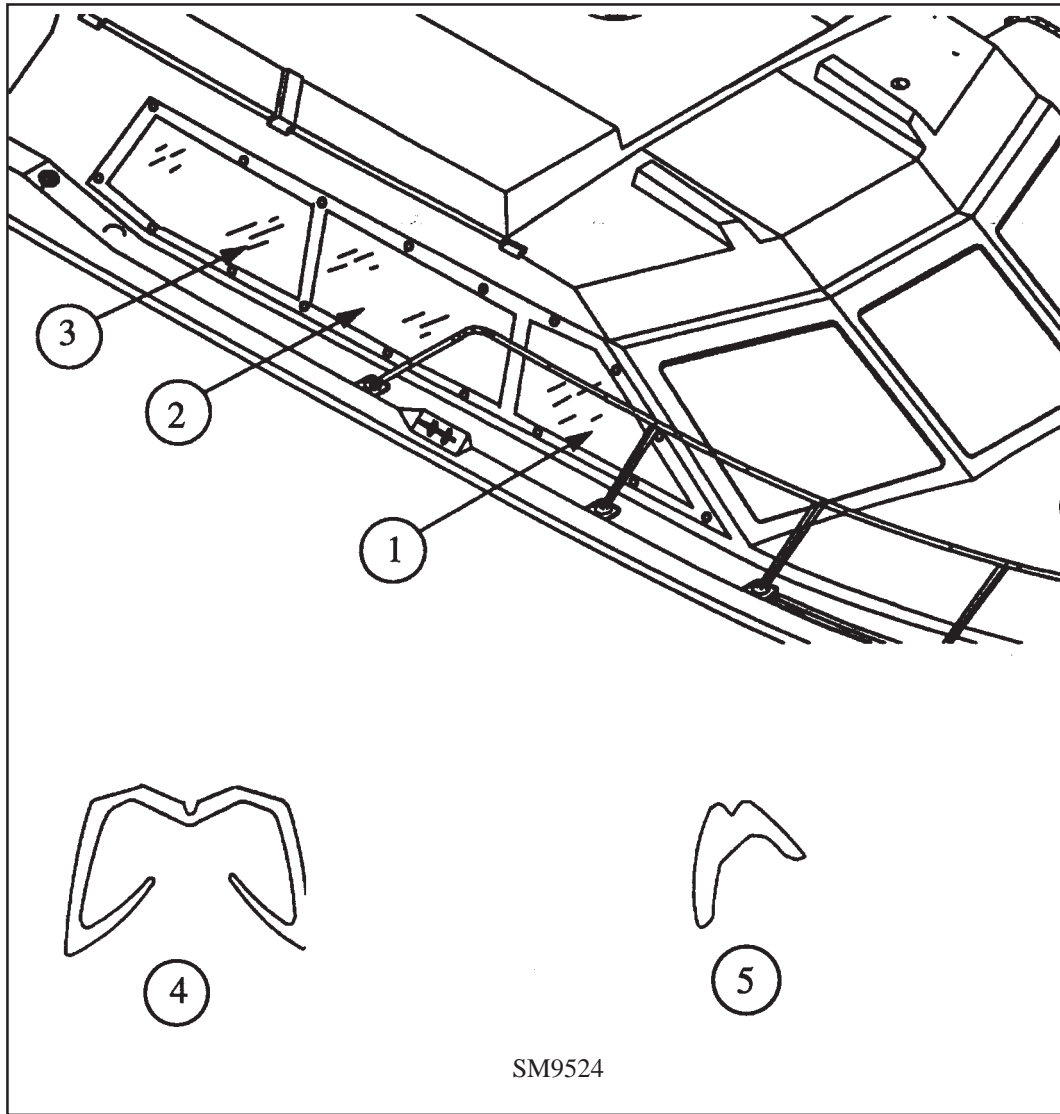
SM9521

DRAWINGS CONTINUED ON FOLLOWING PAGE



ITEM NO.	PART NUMBER	PART DESCRIPTION	U/M	QTY.
<b>VENTURI/ WINDSCREEN &amp; FASTENERS (REFER TO PAGE 13)</b>				
*	57456	VENTURI/WINDSCREEN, PORT SIDE	EA	1
*	57455	VENTURI/WINDSCREEN, STBD SIDE	EA	1
*	57454	VENTURI/WINDSCREEN, CENTER BRACE	EA	1
*	5819	RUBBER GROMET FOR WINDSCREEN	EA	16
<b>WINDSHIELD SYSTEM</b>				
	56390	WINDSHIELD SYSTEM 2858SM	EA	1
<b>1</b>	<b>56390-XG</b>	<b>PORT WING SECT III</b>	<b>EA</b>	<b>1</b>
*	56390-05	WING GLASS SECTION II GRAY	EA	1
*	56390-07	WING GLASS SECTION III GRAY	EA	1
4	5741	SHALLOW STAN PRO FLOX SNG	FT	21
*	5745L-XU	SLIDER LOCK ASSY	EA	1
*	11100-XU	WINDOW KNOB-BLACK PLASTIC	EA	2
<b>2</b>	<b>56390-XJ</b>	<b>PORT WING SECT I (FWD)</b>	<b>EA</b>	<b>1</b>
*	56390-04	WING GLASS SECTION I GRAY	EA	1
*	52850	5/16 ROUND BUTYL	FT	9
5	9109	YACHT FRONT PANEL VINYL	FT	9
<b>3</b>	<b>56390-XL</b>	<b>PORT WING SECT II (AFT)</b>	<b>EA</b>	<b>1</b>
*	56390-05	WING GLASS SECTION II GRAY	EA	2
4	5741	SHALLOW STAN PRO FLOX SNG	FT	19
*	5745L-XU	SLIDER LOCK ASSY	EA	1
*	11100-XU	WINDOW KNOB-BLACK PLASTIC	EA	2
	<b>56390-XN</b>	<b>STBD WING SECT I (FWD)</b>	<b>EA</b>	<b>1</b>
*	56390-04	WING GLASS SECTION I GRAY	EA	1
*	52850	5/16 ROUND BUTYL	FT	9
5	9109	YACHT FRONT PANEL VINYL	FT	9
	<b>56390-XP</b>	<b>STBD WING SECT II</b>	<b>EA</b>	<b>1</b>
*	56390-05	WING GLASS SECTION II GRAY	EA	2
4	5741	SHALLOW STAN PRO FLOX SNG	FT	19
*	5745R-XU	SLIDER LOCK ASSY	EA	1
*	11100-XU	WINDOW KNOB-BLACK PLASTIC	EA	2
	<b>56390-XQ</b>	<b>STBD WING SECT III</b>	<b>EA</b>	<b>1</b>
*	56390-05	WING GLASS SECTION II GRAY	EA	1
*	56390-07	WING GLASS SECTION III GRAY	EA	1
*	5741	SHALLOW STAN PRO FLOX SNG	FT	21
*	5745R-XU	SLIDER LOCK ASSY	EA	1
*	11100-XU	WINDOW KNOB-BLACK PLASTIC	EA	2
<b>WINDOW SCREEN ASSEMBLY</b>				
*	56390-XS2P	WINDOW SCREEN FWD PORT	EA	1
*	56390-XS2S	WINDOW SCREEN FWDSTBD	EA	1
*	56390-XS3P	WINDOW SCREENAFT PORT	EA	1
*	56390-XS3S	WINDOW SCREENAFT STBD	EA	1
* NOT SHOWN				

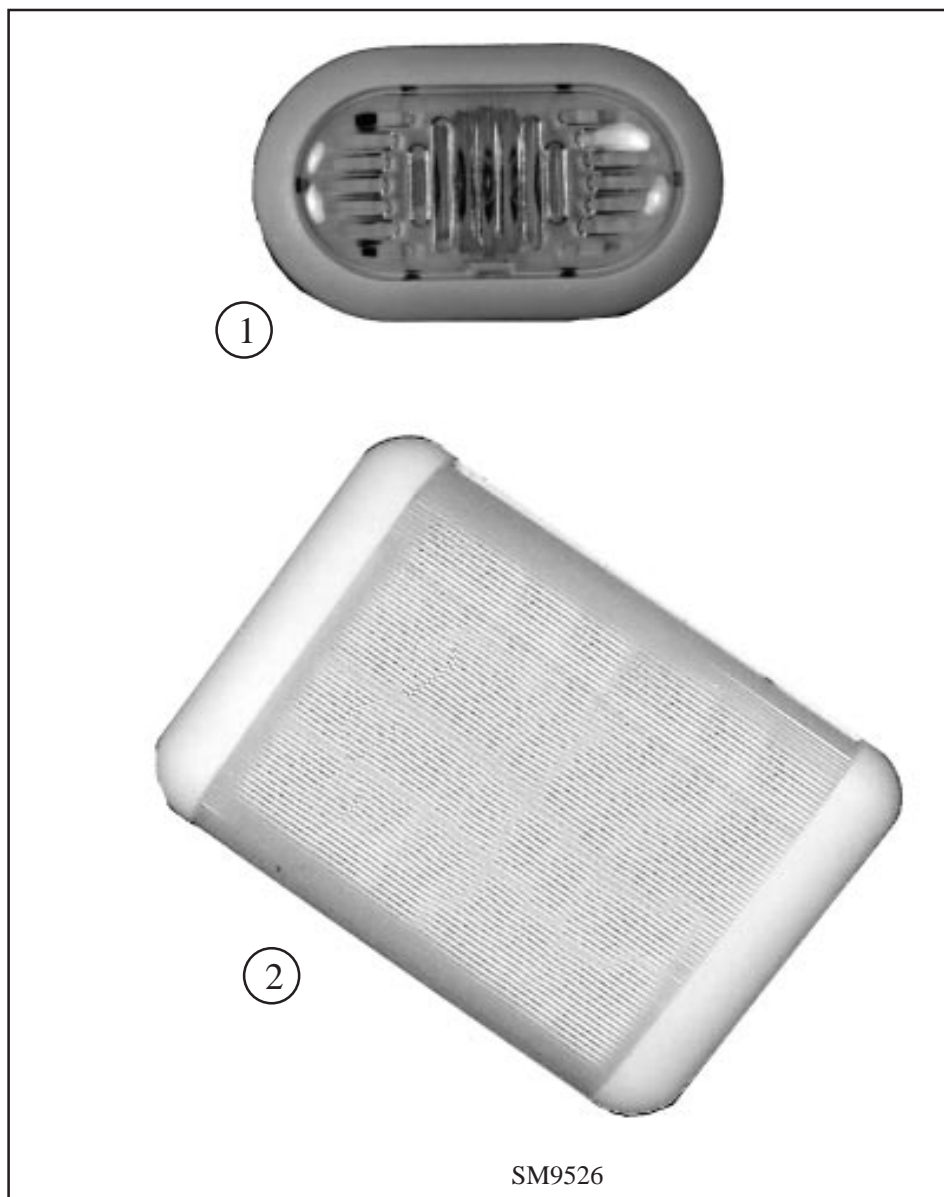
SEE DRAWING ON FOLLOWING PAGE





ITEM NO.	PART NUMBER	PART DESCRIPTION	U/M	QTY.
<b>BOAT ELEC WIRING</b>				
*	56203	HARNESS, FWD DECK/CABIN TOP	EA	1
*	57087	HARNESS, DOCKSIDE (SM)	EA	1
*	<b>D56303</b>	<b>PANEL ASSY, DOCKSIDE, 110V/60HZ</b> CIRCUIT BREAKER PANEL	<b>EA</b>	<b>1</b>
*	2883	5/8" DOMED HOLE PLUG	EA	2
*	10740	5 AMP BRKR RED HNDL (36/FLAT)	EA	1
*	10742	15 AMP BRKR RED HNDL (36/FLAT)	EA	2
*	10743	20 AMP BRKR RED HNDL (36/FLAT)	EA	1
*	10823	30 AMP DBL POLE BRKR-RED (12/FLAT)	EA	1
*	11520	2 AMP BREAKER-RED	EA	1
*	11521	POLARITY LIGHT	EA	1
*	11527	BUSS BAR 3 1/2" 5 HOLE	EA	1
*	12869	RIVET BLACK PLS	EA	4
*	33732	BUSS BAR ASSY 20 PRONG	EA	1
*	56303	PANEL, BLANK, SHORE POWER	EA	1
*	<b>A53342-A</b>	<b>PANEL ASSY, BATTERY SWITCH</b>	<b>EA</b>	<b>1</b>
*	<b>A50135</b>	<b>PANEL ASSY, MACERATOR</b> SWITCH PANEL	<b>EA</b>	<b>1</b>
*	10894	SWITCH SPST-OFF(ON) (HORN)	EA	2
*	50135	PANEL BLANK, MACERATOR	EA	1
*	<b>14678</b>	<b>2 LIGHT-SWITCH PLATE ASSY</b> PANEL ASSEMBLIES	<b>EA</b>	<b>2</b>
*	13698	2 LIGHT SWITCH PLATE	EA	1
*	10893	SWITCH-SPST OFF-ON	EA	2
*	58667	OUTLET BOX COVER, VAC	EA	2
<b>INTERIOR LIGHTS</b>				
1	12361	DOME LIGHT 5 1/2"-SLIMLINE	EA	12
2	52928	LIGHT, DREAM WHITE COURTESY	EA	1
<b>ELECTRICAL HARDWARE</b>				
*	51743	BATT. CHARGER 110/220V 8 AMP	EA	1
*	274	POWER INLET 30AMP	EA	1
*	275	CORD W/RING 50'(30 AMP)	EA	1
*	57614	ZINC SAVER, 50A	EA	1
<b>EXTERIOR LIGHTS</b>				
2	52928	LIGHT, DREAM WHITE COURTESY	EA	2
<b>NAV &amp; ANCHOR LIGHTS</b>				
*	53582	LIGHT NAV GREEN HORZ MOUNT	EA	1
*	53583	LIGHT NAV RED HORZ MOUNT	EA	1
*	14276	48" ANCHOR LIGHT W/RATCHET BASE	EA	1
*	13187	LIGHT POLE STORAGE CLIP	EA	1
*	53574	WIRE CVR-BLACK	EA	1
<b>AUDIO VISUAL EQUIPMENT</b>				
*	9622	ANALOG AM/FM STEREO CASS	EA	1
*	34564	SPEAKERS-WHITE 5 1/4"	PR	1
*	59205	RADIO BOX, LT. BEIGE	EA	1
*	NOT SHOWN			

DRAWING ON FOLLOWING PAGE.





ITEM NO.	PART NUMBER	PART DESCRIPTION	U/M	QTY.
<b>BRIDGE COVER</b>				
*	59563	SM BRIDGE COVER,SAND	EA	1
*	57669	CANVAS - SAND	LY	7
*	12293	1" GRAY NYLON WEBBING	YD	3
1	81	SNAP BUTTON	EA	18
2	82	SNAP SOCKET	EA	18
3	88	TURNBUCKLE EYE	EA	6
4	89	TURNBUCKLE WASHER	EA	6
5	90	TURNBUCKLE STUD	EA	6
6	11563	SMALL BASE CANVAS STUD	EA	18
*	52911	BOW COVER SUPPORT	EA	1
MISC TTOP CANVAS HARDWARE				
*	52964	3/4" INSIDE TARP SUPPORTER	EA	1
*	52963	7/8" OUTSIDE END CAP	EA	1
*	52965	3/4" TUBING ADJUSTMENT	EA	1

\* NOT SHOWN



①

②

③

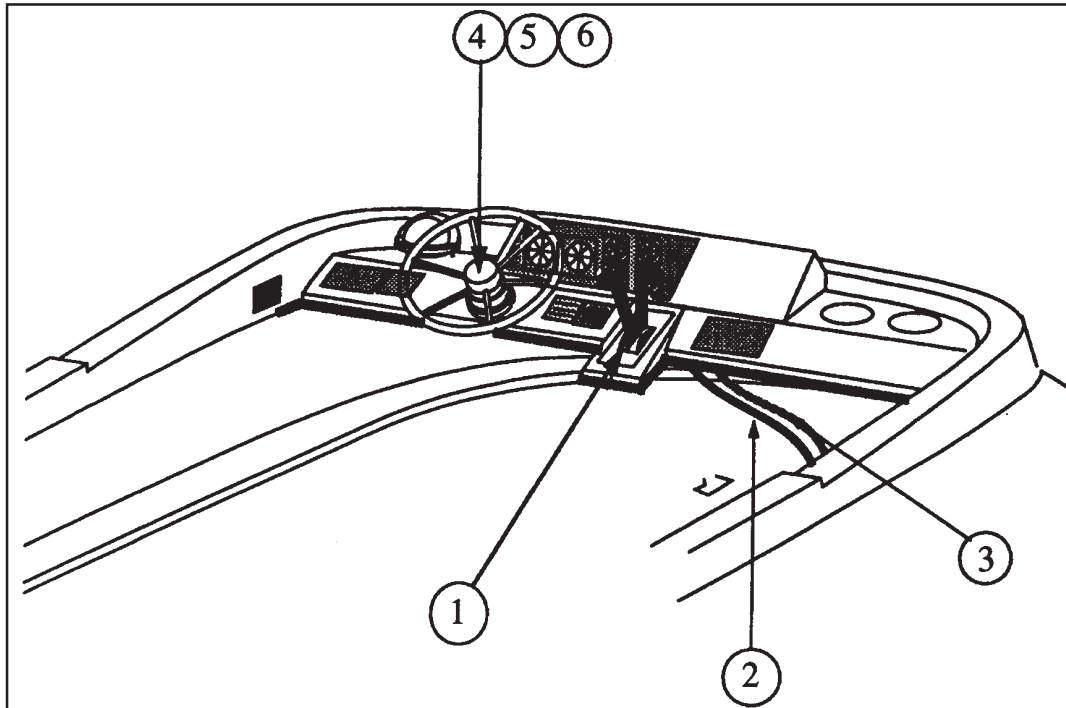
④

⑤

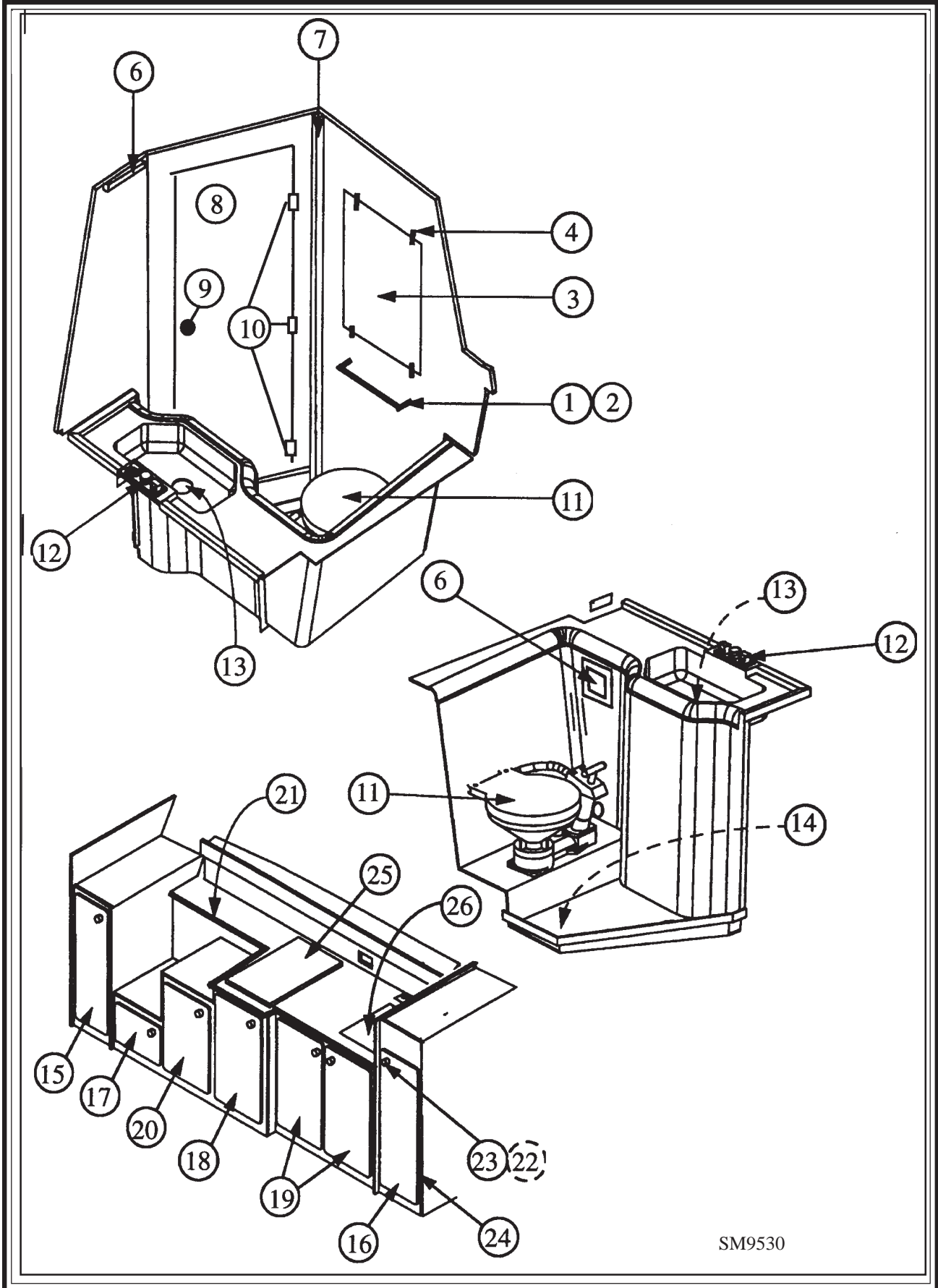
⑥

ITEM NO.	PART NUMBER	PART DESCRIPTION	U/M	QTY.
<b>SHIFTER &amp; CONTROL CABLE</b>				
*	53545	SHIFT/THROTTLE -LOWER STATION	EA	1
1	53546	SHIFT/THROTTLE -UPPER STATION	EA	1
*	35571	SHIFTER THROTTLE KIT DUAL STA	EA	1
*	9025	SHIFTER LBL-PORT THROT/STBD. SHFT.	EA	1
2	1430	THROTTLE CABLE-28' (GAS ENGINE)	EA	1
2	1428	THROTTLE CABLE-26' (DIESEL ENGINE)	EA	1
3	1427	SHIFTER CABLE -25'	EA	1
<b>STEERING SYSTEM</b>				
4	55834	16" WHEEL 3/4 TAPER 10" DISH	EA	2
5	11958	STEERING HELM ASSY	EA	2
6	11959	90 DEG BEZEL KIT	EA	2
*	56615	DUAL STATION STEERING KIT	EA	1
<b>ENGINE FUEL SYSTEM</b>				
*	11992	FUEL FILL CHROME BRASS	EA	1
*	625	1-1/2 FUEL FILL, 1 1/2"-	FT	9
*	56970	FUEL TANK, 113 GALLON	EA	1
*	623	HOSE, FUEL VENT, 5/8"-	FT	10
*	1703	GAS TANK VENT	EA	1
*	32219	GAS FUEL WARNING LABEL-I/O & INBRD	EA	1
<b>ENGINE VENT SYSTEM</b>				
*	60477	LOUVER, W/WHITE, NON DIR, 2X15	EA	4
*	59007	COLLECTOR BOX, RECT. CUT ABS	EA	1
*	54608	FLANGE, 4" OVAL	EA	1
*	279	HOSE VENT 4"	FT	4
*	56772	4" BLOWER (WATERPROOF)	EA	1
*	7-322-3	FLANGE 3" WHITE PLASTIC	EA	1
*	322	HOSE VENT 3"	FT	9

\* NOT SHOWN



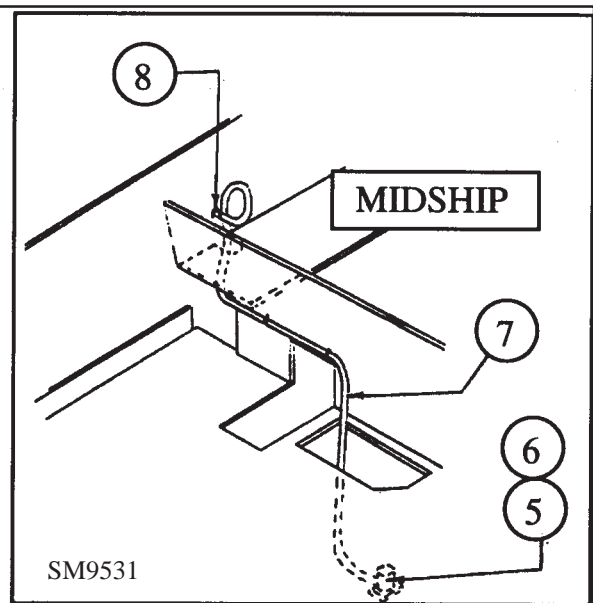
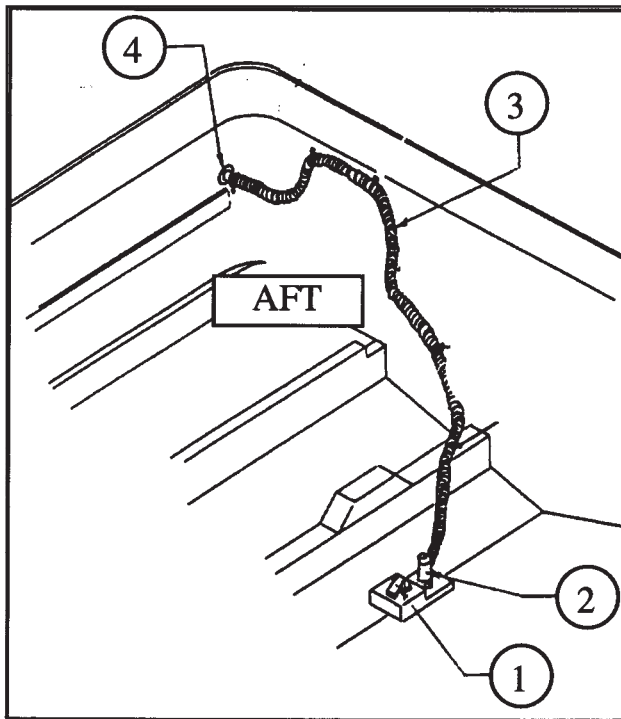
ITEM NO.	PART NUMBER	PART DESCRIPTION	U/M	QTY.
<b>HEAD/SHOWER ASSEMBLY</b>				
1	36553	TOWEL ROD 12"BRUSHED ALMNW/WHT END	EA	1
2	36554	TOWEL ROD KIT - WHITE	EA	1
3	35842	RECESSED T/P HOLDER DREAM WHITE	EA	1
4	6976	MIRROR 12X20X1/8	EA	1
5	3059	1/8" MIRROR HOLDER	EA	6
6	59418	CLEAT,SCAB,7" 3/4 SAND STARBOARD	EA	1
7	59416	CLEAT,HD DR STOP,69",3/4"SAND STRBD	EA	1
*	59417	CLEAT,FWD HEAD BLKHD,19" 3/4 SAND	EA	1
*	59419	TRIM,AFTHD SCAB,42",1/4"SAND STRBRD	EA	1
8	SM10-2-13	HEAD DOOR	EA	1
9	57690	RIM LATCH W/FLAT STRIKER	EA	1
*	35734	LATCH SHIM BLK ABS W/ROVEL CAP	EA	1
10	3669	2X2 CHROME BUTT HINGE	EA	3
11	1394	MARINE HEAD	EA	1
12	53278	HEAD FAUCET	EA	1
13	39653	SINK DRAIN	EA	1
14	344	SHOWER DRAIN	EA	1
*	12318	SLDR TRACK-BTM-2X1/8"BLKX12'	FT	2
*	12317	SLDR TRACK-TOP-2X1/8"BLKX12'	FT	2
*	31054	T-TRIM 11/16" LT BEIGE	FT	17
*	SM13-4-3.08	HEAD PLEX SLIDER DOORS	EA	2
*	6982	BLK PLASTIC FINGER PULL	EA	2
<b>HANGING LOCKER ASSEMBLY</b>				
15	SM100101.17	FWD HANGING LOCKER DOOR	EA	1
16	SM100101.25	AFT HANGING LOCKER DOOR	EA	1
*	8152	HINGE-CHROME OVERLAY	PR	4
*	6199	NYLATCH ROLL CATCH W/STKR	EA	2
*	57648	DOOR PULL, CHAMPAGNE	EA	2
*	31054	T-TRIM 11/16" LT BEIGE	FT	40
*	36276	1/2" WHITE E-LAM PLYWOOD	SF	7
*	#W1323-35	CLOSET POLE SOCKETS	ST	2
*	6059	1 5/16" DOWEL	LF	4
<b>GALLEY ASSEMBLY</b>				
17	SM100101.21	FOOT REST DOOR	EA	1
18	SM100101.23	STOVE DOOR	EA	1
19	SM100101.24	SINK DOOR	EA	2
20	SM100101.22	HELM SEAT DOOR	EA	1
21	56408	TEAK-CIERA SEA RAIL	LF	10
22	6199	NYLATCH ROLL CATCH W/STKR	EA	7
23	57648	DOOR PULL, CHAMPAGNE	EA	7
24	8152	HINGE-CHROME OVERLAY	PR	14
*	31054	T-TRIM 11/16" LT BEIGE	FT	85
25	10846	STOVE	EA	1
26	36267	GALLEY SINK	EA	1
* NOT SHOWN				
<b>DRAWINGS ON FOLLOWING PAGE</b>				



SM9530

ITEM NO.	PART NUMBER	PART DESCRIPTION	U/M	QTY.
<b>BILGE PUMP SYSTEM - AFT</b>				
1	12528*	FLOAT SWITCH	EA	1
2	61165	1000 GPH BILGE PUMP	EA	1
3	55609	3/4 BLACK BILGE HOSE	FT	8
4	708	THRU HULL PLAS 3/4"	EA	1
<b>MIDSHIP BILGE PUMP SYS</b>				
5	61039	500 GPH BILGE PUMP	EA	1
6	12528*	FLOAT SWITCH	EA	1
7	55609	3/4 BLACK BILGE HOSE	FT	8
8	708	THRU HULL PLAS 3/4"	EA	1

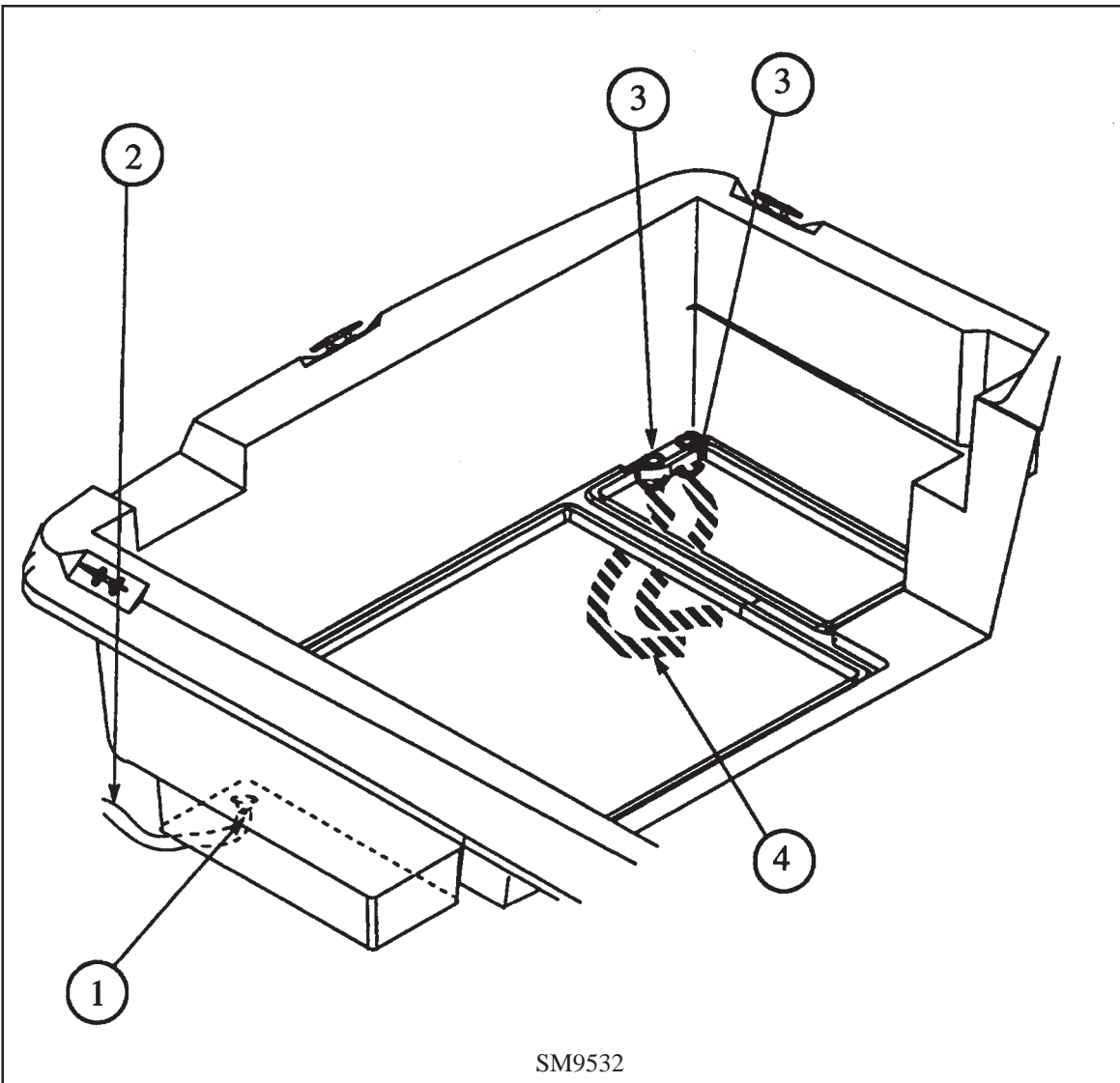
**\*NOTE: HULL NUMBERS BEGINNING WITH A81SM95, USE FLOAT SWITCH #60249 WITH S-300 STANDARD BILGE PUMP PAD. THE NEW SWITCH IS SLIGHTLY LARGER AND MAY REQUIRE SOME LOCATION ADJUSTMENT BY THE PLANTS. REFER TO ECN M027-95ECN FOR MORE INFO.**



PLUMBING AND FIXTURES SECTION CONTINUED ON FOLLOWING PAGES

ITEM NO.	PART NUMBER	PART DESCRIPTION	U/M	QTY.
<b>BAITWELL DRAIN SYSTEM</b>				
1	1372	THRU HULL 3/4 90 DEG EL	EA	1
2	1272	HOSE, CLEAR 3/4"ID X 1"OD	FT	2
*	708	THRU HULL PLAS 3/4"	EA	1
<b>DECK DRAIN SYSTEM</b>				
3	8492	THRU-HULL,REV FLANGE 1 1/2"	EA	4
4	1300	DRAIN HOSE 1.5" WHITE VINYL	FT	7
*	11394	T-HULL FITTING,1.5"W/SCUPPER	EA	4

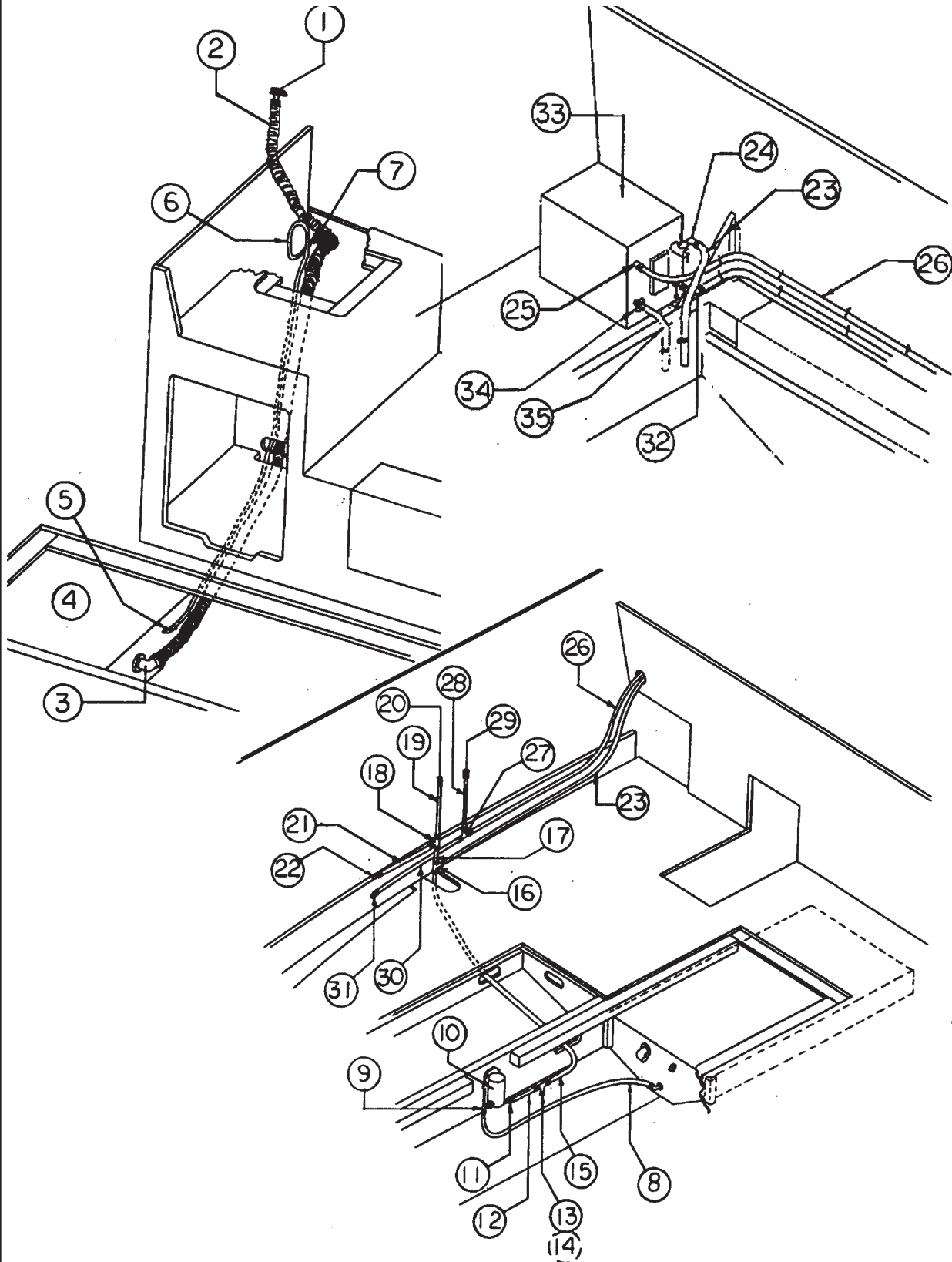
\* NOT SHOWN



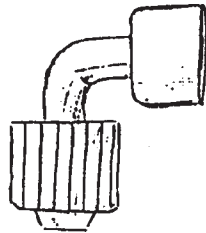
PLUMBING AND FIXTURES SECTION CONTINUED ON FOLLOWING PAGES



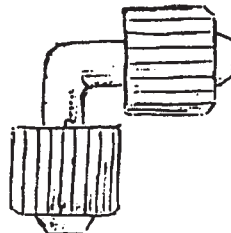
ITEM NO.	PART NUMBER	PART DESCRIPTION	U/M	QTY.
<b>FRESH WATER SYSTEM</b>				
1	11993	WATER FILL CHROME BRASS	EA	1
*	13120	POTABLE WATER WARNING LABEL	EA	1
2	1300	FILL HOSE 1.5" WHITE VINYL	FT	11
3	13192	1.5" 90D NYLON MALE ADAPTER	EA	1
4	9542	35 GAL WATER TANK	EA	1
5	4P-MP-IN9E	1/2 90D PL IN M ADP	EA	1
6	1271	VENT HOSE, 9/16"	FT	8
7	1703	WATER TANK VENT	EA	1
8	57897	5/8 PLYBUTYLENE PIPE	FT	4
9	52123	ELBOW 1/2"NPT X 1/2" FLAIR	EA	1
*	50911	1/2 X 1/2 FL 90DEGREE ELBOW	EA	1
10	39974	FRESH WATER PUMP W/FILTER	EA	1
11	51896	STRAIGHT FEMALE ADAPTER (OUT OF PUMP)	EA	1
12	57897	5/8 PLYBUTYLENE PIPE	FT	1
13	50915	1/2 X 1/2 X 1/2 FL TEE	EA	1
14	51074	1/2" DRAIN CAP	EA	1
15	57897	5/8 PLYBUTYLENE PIPE	FT	5
16	50915	1/2 X 1/2 X 1/2 FL TEE	EA	1
17	57897	5/8 PLYBUTYLENE PIPE	FT	4
18	50915	1/2 X 1/2 X 1/2 FL TEE	EA	1
19	57897	5/8 PLYBUTYLENE PIPE (TO HEAD-COLD)	FT	3
20	51896	STRAIGHT FEMALE ADAPTER	EA	1
21	57897	5/8 PLYBUTYLENE PIPE	FT	1
22	51896	STRAIGHT FEMALE ADAPTER	EA	1
23	57897	5/8 PLYBUTYLENE PIPE	FT	17
24	52123	ELBOW 1/2"NPT X 1/2" FLAIR	EA	1
25	52123	ELBOW 1/2"NPT X 1/2" FLAIR	EA	1
26	57897	5/8 PLYBUTYLENE PIPE	FT	17
27	50915	1/2 X 1/2 X 1/2 FL TEE	EA	1
28	57898	5/8 PLYBUTYLENE PIPE (TO HEAD-HOT)	FT	3
29	51896	STRAIGHT FEMALE ADAPTER	EA	1
30	57898	5/8 PLYBUTYLENE PIPE (TO GALLEY)	FT	4
31	51896	STRAIGHT FEMALE ADAPTER	EA	1
*	53278	COMBO,MIXER SPRAY,DREAM WHITE (GALLEY)	EA	1
*	53278	COMBO,MIXER SPRAY,DREAM WHITE (HEAD)	EA	1
*	53280	BRACKET, WALL DREAM WHITE	EA	1
32	1307	1/2" CHECK VALVE	EA	1
33	54379	HEATER WATER 6 GALLON	EA	1
*	1305	1/2" COUPLING	EA	1
34	53012	ADAPTER DRAIN GARDEN HOSE TO FLAIR	EA	1
35	57898	5/8 PLYBUTYLENE PIPE	FT	4
*	7330	BACKING PLATE-ALUM SWITCH	EA	1
*	2000	ILUM ROCKER SWITCH	EA	1
*	1179	WATER PUMP LABEL	EA	1
* NOT SHOWN				
<p><b>SEE DRAWING ON FOLLOWING PAGES</b> <b>PLUMBING AND FIXTURES SECTION CONTINUED ON FOLLOWING PAGES</b></p>				



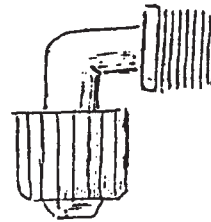
DRAWINGS CONTINUED ON FOLLOWING PAGE



**52123**  
1/2" 90DEG.  
FEMALE



**50911**  
1/2"90 DEG. EL-  
BOW



**50912**  
1/2" 90 DEG. MALE



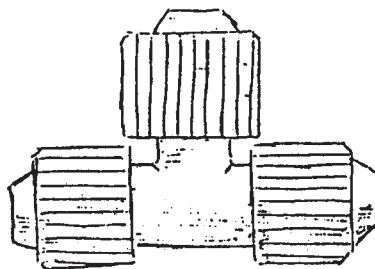
**1307**  
1/2" CHECKVALVE



**51074**  
1/2" DRAIN CAP



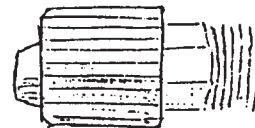
**1305**  
1/2" COUPLER



**50915**  
1/2" TEE



**51896**  
1/2" FEMALE  
STRAIGHT



**52124**  
1/2" MALE  
STRAIGHT

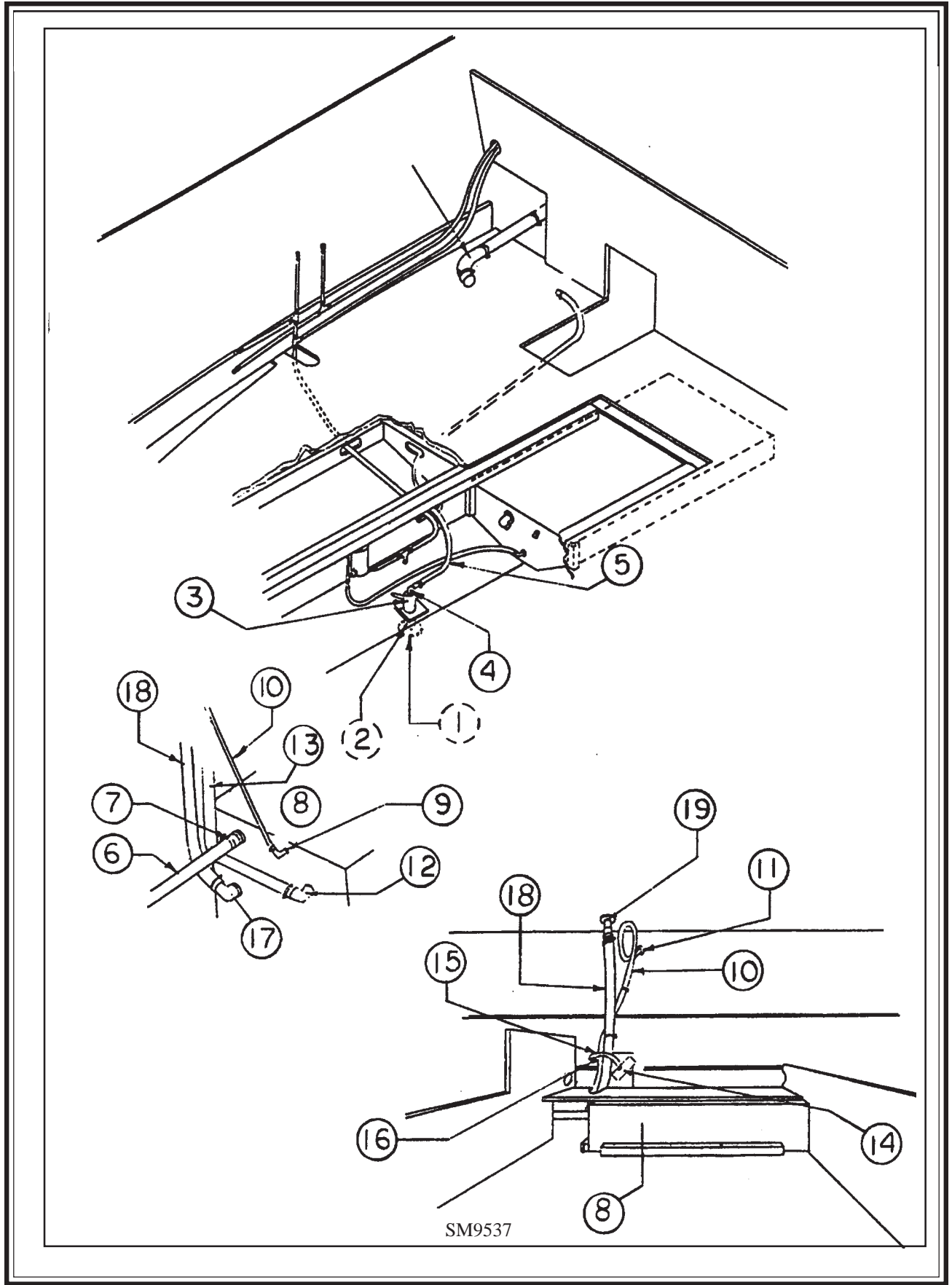
SM9535

PLUMBING AND FIXTURES SECTION CONTIUED ON FOLLOWING PAGES

ITEM NO.	PART NUMBER	PART DESCRIPTION	U/M	QTY.
<b>MARINE HEAD SYSTEM-AFT</b>				
1	57223	SEA STRAINER	EA	1
2	14486	3/4" BRZN THRU HULL CONN	EA	1
3	14791	3/4" SEACOCK	EA	1
4	31229	3/4" BRBX3/4"MIPT W/1.5" BARB	EA	1
5	1115	SFTWL H2O HOSE 3/4"	FT	8
*	13996	LEFT-HAND MARINE HEAD	EA	1
6	13706	1-1/2" SANITATION HOSE	FT	4
7	13190	1.5" NYLON STRAIGHT MALE ADAPTER	EA	1
8	54054	HOLDING TANK, 30 GALLON	EA	1
9	4P-MP-IN9E	1/2 90D PL IN M ADP	EA	1
10	1271	VENT HOSE, 9/16"	FT	6
11	1703	HOLDING TANK VENT	EA	1
12	13192	1.5" 90D NYLON MALE ADAPTER	EA	1
13	13706	1-1/2" SANITATION HOSE	FT	2
14	4278-A	MACERATOR PUMP W/BARB	EA	1
15	12791	1" SANITATION HOSE	FT	3
16	6637	THRU HULL PLAS 1"	EA	1
17	13192	1.5" 90D NYLON MALE ADAPTER	EA	1
18	13706	1-1/2" SANITATION HOSE	FT	5
19	11995	DECK WASTE FITTING BRASS	EA	1

\* NOT SHOWN

SEE DRAWINGS ON FOLLOWING PAGE



ITEM NO.	PART NUMBER	PART DESCRIPTION	U/M	QTY.
<b>SHOWER DRAIN SYSTEM-AFT</b>				
*	344	4"X1 1/2" SHWR DRAIN	EA	1
*	4790-E	DRAIN ELBOW ONLY	EA	1
*	57544	DRAIN SLIP NUT	EA	1
*	57545	WASHER 1.30 I.D. X 1.80 O.D. X .125	EA	1
*	1115	SFTWL H2O HOSE 3/4"	FT	2
*	50900	PUMPGUARD IN-LINE STRAINER	EA	1
*	1115	SFTWL H2O HOSE 3/4"	FT	2
*	13661	3/4 IN X 1/2 MIP PLS REDUCER	EA	1
*	1399	1/2" FEMALE COUPLING	EA	1
*	1306	1/2"X3/8" COUPLING	EA	1
*	6893	3.0 GPM SHOWER PUMP	EA	1
*	1306	1/2"X3/8" COUPLING	EA	1
*	1399	1/2" FEMALE COUPLING	EA	1
*	1305	1/2" COUPLING	EA	1
*	7087	3/4 IN X 1/2FIP 90D PL L	EA	1
*	1115	SFTWL H2O HOSE 3/4"	FT	8
*	708	THRU HULL PLAS 3/4"	EA	1
*	7330	BACKING PLATE-ALUM SWITCH	EA	1
*	2000	ILUM ROCKER SWITCH	EA	1
*	1180	SHOWER PUMP LABEL	EA	1
<b>SINK DRAIN SYSTEM</b>				
*	57543	SINK STRAINER, 2",S/S	EA	1
*	4790-E	DRAIN ELBOW ONLY	EA	1
*	57544	DRAIN SLIP NUT	EA	1
*	57545	WASHER 1.30 I.D. X 1.80 O.D. X .125	EA	1
*	1115	SFTWL H2O HOSE 3/4"	FT	2
*	708	THRU HULL PLAS 3/4"	EA	1
*	36267	SINK SINGLE DEEP 3 1/2" DRAIN	EA	1
*	36339	3 1/2" WHITE PLAST DRAIN	EA	1
*	59246	WASTE ARM 1.5"X9" BLACK W/NUT	EA	1
*	57545	WASHER 1.30 I.D. X 1.80 O.D. X .125	EA	1
*	1300	DRAIN HOSE 1.5" WHITE VINYL	FT	2
*	709	THRUHULL PLAS 1.5"	EA	1
*	NOT SHOWN			

ITEM NO.	PART NUMBER	PART DESCRIPTION	U/M	QTY.
*	59070	MANUALS OWNERS MANUAL-CLASSIC CRUISER 95	EA	1
*	NOT SHOWN			

ITEM NO.	PART NUMBER	PART DESCRIPTION	U/M	QTY.
<b>220V/50HZ ELECTRICAL CONVERSION</b>				
<b>BOAT ELEC WIRING</b>				
*	<b>E56303</b>	<b>PANEL ASSY, DOCKSIDE, 220V/50HZ</b>	<b>EA</b>	<b>1</b>
		CIRCUIT BREAKER PANEL		
*	2883	5/8" DOMED HOLE PLUG	EA	2
*	10740	5 AMP BRKR RED HNDL	EA	1
*	10741	10 AMP BRKR RED HNDL	EA	3
*	11520	2 AMP BREAKER-RED	EA	1
*	11521	POLARITY LIGHT	EA	1
*	11527	BUSS BAR 3 1/2" 5 HOLE	EA	1
*	12869	RIVET BLACK PLASTIC	EA	4
*	33732	BUSS BAR ASSY 20 PRONG	EA	1
*	35398	15 AMP DBL POLE BRKR RED	EA	1
*	56303	PANEL,BLANK,SHORE POWER	EA	1
*	56639	6-32 X 1/4 PPH MACHINE SCREW-STAI	EA	14
*	57002	LABEL,220 VAC,50 HZ, EXPORT	EA	1
*	56638	6-32 X 1/2 PPH MACHINE SCREW-STAI	EA	2
*	11533	6-32 HEX NUT	EA	2
<b>HULL INT ASSY HARDWARE</b>				
*	59493	REFRIGERATOR 220V	EA	1
*	34864	A/E STOVE GLASS TOP 220/50HV2\	EA	1
<b>HULL INT LABELS</b>				
*	35034	LABEL 220 VAC 50HZ EXPORT	EA	1
<b>ELECTRICAL HARDWARE</b>				
*	34866	CORD W/RING 50' 16AMP 220V/50HZ	EA	1
*	34865	POWER INLET 16AMP 220V/50H	EA	1
*	232	BLANK PLATE	EA	3
<b>FRESH WATER SYSTEM</b>				
*	54472	HEATER WATER 6 GAL 220V	EA	1
*	NOT SHOWN			



ITEM NO.	PART NUMBER	PART DESCRIPTION	U/M	QTY.
<b>D4.2L BRAVO II OPTION</b>				
HULL BASIC HARDWARE				
*	1271	HOSE, WATER, 9/16" CLEAR	FT	4
*	1300	DRAIN HOSE 1.5" WHITE VINYL	FT	4
*	58352	1" SOUND BOARD W/PSA	SF	16
*	12777	TAPE FOR SOUND BOARD	RL	30
<b>BOAT ELEC WIRING</b>				
*	58375	HARNESS, ENG/ACCY (SM DSL)	EA	1
MAIN BODY OF HARNESS				
*	6164	SPEEDO HOSE .28ODX.16ID	FT	33
*	6332	FUSE 20 AMP (AGC-20) #P-3087	EA	1
*	51594	40 AMP FUSE (AGC)	EA	1
*	51595	FUSE 5 AMP (AGC)	EA	1
*	58376	<b>DASH/HARNESS ASSY (SM DSL) L/S</b>	EA	1
PANEL ASSEMBLIES				
*	10894	SWITCH SPST-OFF(ON) (HORN)	EA	1
*	13224	DC RED INDICATOR LT-LOW PROFILE	EA	1
*	58395	PANEL BLANK, PRE-HEAT/SHUTDOWN 20	EA	1
<b>FUSE BLOCK</b>				
*	31265	5 AMP FUSE #P-3087	EA	2
*	31266	7.5 AMP FUSE #P-3087	EA	2
*	31267	10 AMP FUSE #P-3087	EA	13
*	31268	15 AMP FUSE #P-3087	EA	2
*	31269	20 AMP FUSE #P-3087	EA	1
<b>LOWER GAUGE PANEL</b>				
1	14801	OIL PRESSURE (EURO II)	EA	1
2	14802	WATER TEMP (EURO II)	EA	1
3	14803	FUEL LEVEL (EURO II)	EA	1
4	14804	VOLTMETER (EURO II)	EA	1
5	14809	LARGE GAUGE BLANK (EURO II)	EA	1
6	50123	PANEL BLANK, INSTRUMENT (FL)	EA	1
7	58410	GAUGE,TACH,DSL,MAG,EURO	EA	1
<b>LOWER SWITCH PANEL</b>				
8	10893	SWITCH-SPST OFF-ON	EA	8
9	10894	SWITCH SPST-OFF(ON) (HORN)	EA	2
10	10895	SWITCH DPDT-16A ON-OFF-ON	EA	1
11	32405	SWITCH SPDT-(ON)OFF(ON)	EA	1
12	50606	IGNITION SWITCH FOR I/O	EA	1
13	57195	PANEL BLANK,SWITCH,LOWER STATION	EA	1
14	33529	O/B OVERHEAT ALARM BUZZER	EA	2
15	52046	QUALIFIED OPERATOR PANEL BLANK DI	EA	1
*	NOT SHOWN			

**D4.2L BRAVO II OPTION CONTINUED ON FOLLOWING PAGE**



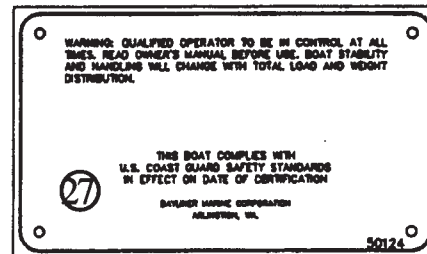
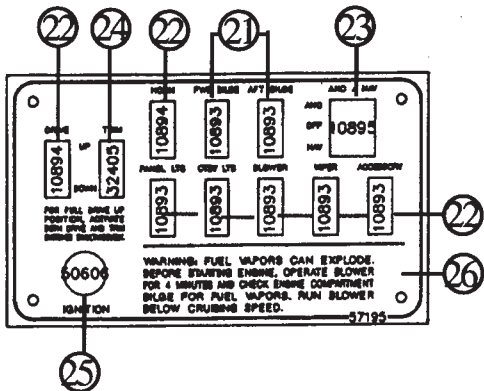
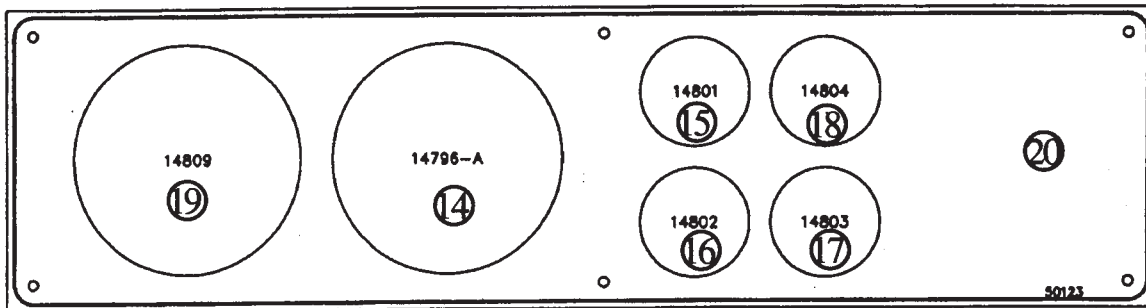
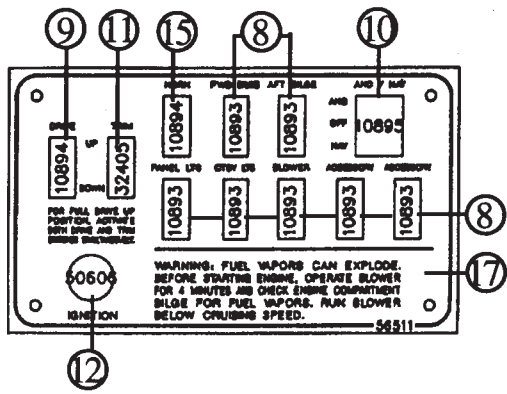
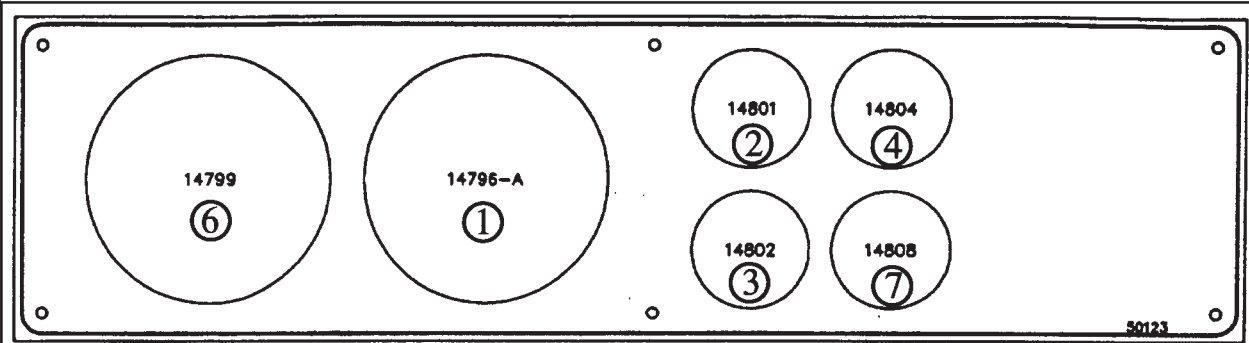
ITEM NO.	PART NUMBER	PART DESCRIPTION	U/M	QTY.
	<b>58377</b>	<b>DASH/HARNESS ASSY (SM DSL) U/S</b>	<b>EA</b>	<b>1</b>
		<b>UPPER GAUGE PANEL</b>		
1	14799	SPEEDOMETER 60 MPH (EURO II)	EA	1
2	14801	OIL PRESSURE (EURO II)	EA	1
3	14802	WATER TEMP (EURO II)	EA	1
4	14803	FUEL LEVEL (EURO II)	EA	1
5	14804	VOLTMETER (EURO II)	EA	1
6	50123	PANEL BLANK, INSTRUMENT (FL)	EA	1
7	58410	GAUGE,TACH,DSL,MAG,EURO	EA	1
		<b>UPPER SWITCH PANEL</b>		
8	10893	SWITCH-SPST OFF-ON	EA	8
9	10894	SWITCH SPST-OFF(ON) (HORN)	EA	2
10	10895	SWITCH DPDT-16A ON-OFF-ON	EA	1
11	32405	SWITCH SPDT-(ON)OFF(ON)	EA	1
12	50606	IGNITION SWITCH FOR I/O	EA	1
13	56511	PANEL,BLANK,IGN/SWITCH	EA	1
*	33529	O/B OVERHEAT ALARM BUZZER	EA	2
14	52046	QUALIFIED OPERATOR PANEL BLANK DI	EA	1
		<b>ENGINE STOP PANEL</b>		
15	10894	SWITCH SPST-OFF(ON) (HORN)	EA	1
16	13224	DC RED INDICATOR LT-LOW PROFILE	EA	1
17	58395	PANEL BLANK, PRE-HEAT/SHUTDOWN 20	EA	1
18	33407	ENGINE SHUT-OFF SWITCH	EA	1
		<b>FUSE BLOCK</b>		
*	31267	10 AMP FUSE #P-3087	EA	7
*	31269	20 AMP FUSE #P-3087	EA	1
*	<b>54041</b>	<b>CABLE KIT, BATTERY</b>	<b>EA</b>	<b>1</b>
		<b>ENGINE SYSTEMS</b>		
*	58421	D 4.2L BRAVO 2 2.00:1 RATIO	EA	1
*	57268	MOTOR MOUNT KIT (SM)	PR	1
*	02031	TEMP SENDER DUAL 3/8 NPT	EA	1
*	02504-1	OIL SENDER DUAL	EA	1
*	NOT SHOWN			

SEE DRAWINGS ON FOLLOWING PAGE



ITEM NO.	PART NUMBER	PART DESCRIPTION	U/M	QTY.
<b>SHIFTER &amp; CONTROL CABLE</b>				
*	53545	SHIFT/THROT W/NEUTRAL SAFETY SWITCH	EA	1
*	53546	SHIFT/THROTTLE W/O NEUTRAL SAFETY S	EA	1
*	1427	25' SUPREME CABLE 10/	EA	1
*	1428	26' SUPREME CABLE 10/	EA	1
*	1425	23' SUPREME CABLE 10/	EA	1
*	1426	24' SUPREME CABLE 10/	EA	1
*	14693	MERC CABLE CONNECTOR KIT	KT	2
<b>STEERING SYSTEM</b>				
*	11957	24' (RX-4) STR CABLE	EA	1
<b>ENGINE FUEL SYSTEM</b>				
*	694-EC	3/8BRB X 1/4MIP BRS M ADP	EA	1
*	11994	DIESEL FILL CHROME BRASS	EA	1
*	57555	FUEL TANK, 98 GAL, ALUM.	EA	1
*	13370	RACOR 225R FUEL FILTER	EA	1
*	1743	BRS 1/4" FUEL SHUTOFF VLV	EA	1
<b>ENGINE WATER PICKUP SYSTEM</b>				
*	39575	1-1/4" CLOSE BRASS NIPPLE	EA	1
*	39576	1-1/4" BALL VALVE	EA	1
*	58274	1 1/4" MPTX1 1/2" BARB, BRONZE	EA	1
*	13227	ENGINE PICK-UP LABEL	EA	1
*	57223	SEA STRAINER 10/	EA	1
*	32838	1-1/2" HARDWALL WATER HOSE	FT	6
*	NOT SHOWN			

ITEM NO.	PART NUMBER	PART DESCRIPTION	U/M	QTY.
<b>7.4L BRAVO II MERC. S/D ENG. OPT</b>				
<b>BOAT ELEC WIRING</b>				
*	56202	HARNASS, ENG/ACCY (94SM)	EA	1
<b>MAIN BODY OF HARNASS</b>				
*	6164	SPEEDO HOSE .28ODX.16ID	FT	33
*	6332	FUSE 20 AMP (AGC-20) #P-3087	EA	1
*	51595	FUSE 5 AMP (AGC)	EA	1
	<b>56205</b>	<b>DASH/HARNASS ASSY, U/S (SM)</b>	<b>EA</b>	<b>1</b>
<b>MACHINE APPLIED TERMINALS</b>				
*	31267	10 AMP FUSE #P-3087	EA	7
*	31269	20 AMP FUSE #P-3087	EA	1
<b>UPPER GAUGE PANEL</b>				
1	14796-A	TACH, 4-6-8 CYL-EURO	EA	1
2	14801	OIL PRESSURE (EURO II)	EA	1
3	14802	WATER TEMP (EURO II)	EA	1
4	14804	VOLTMETER (EURO II)	EA	1
5	50123	PANEL BLANK, INSTRUMENT (FL)	EA	1
6	14799	SPEEDOMETER 60 MPH (EURO II)	EA	1
7	14808	SMALL GAUGE BLANK (EURO II)-BLACK	EA	1
<b>UPPER SWITCH PANEL</b>				
8	10893	SWITCH-SPST OFF-ON	EA	7
9	10894	SWITCH SPST-OFF(ON) (HORN)	EA	2
10	10895	SWITCH DPDT-16A ON-OFF-ON	EA	1
11	32405	SWITCH SPDT-(ON)OFF(ON)	EA	1
12	50606	IGNITION SWITCH FOR I/O	EA	1
13	56511	PANEL,BLANK,IGN/SWITCH	EA	1
*	<b>54040</b>	<b>CABLE KIT, BATTERY (SC GAS)</b>	<b>EA</b>	<b>1</b>
*	<b>56204</b>	<b>DASH/HARNASS ASSY, L/S (SM)</b>	<b>EA</b>	<b>1</b>
<b>FUSE BLOCK</b>				
*	31265	5 AMP FUSE #P-3087	EA	2
*	31266	7.5 AMP FUSE #P-3087	EA	2
*	31267	10 AMP FUSE #P-3087	EA	13
*	31268	15 AMP FUSE #P-3087	EA	2
*	31269	20 AMP FUSE #P-3087	EA	1
<b>LOWER GAUGE PANEL</b>				
14	14796-A	TACH, 4-6-8 CYL-EURO	EA	1
15	14801	OIL PRESSURE (EURO II)	EA	1
16	14802	WATER TEMP (EURO II)	EA	1
17	14803	FUEL LEVEL (EURO II)	EA	1
18	14804	VOLTMETER (EURO II)	EA	1
19	14809	LARGE GAUGE BLANK (EURO II)	EA	1
20	50123	PANEL BLANK, INSTRUMENT (FL)	EA	1
<b>LOWER SWITCH PANEL</b>				
21	10893	SWITCH-SPST OFF-ON	EA	8
22	10894	SWITCH SPST-OFF(ON) (HORN)	EA	2
23	10895	SWITCH DPDT-16A ON-OFF-ON	EA	1
24	32405	SWITCH SPDT-(ON)OFF(ON)	EA	1
25	50606	IGNITION SWITCH FOR I/O	EA	1
26	57195	PANEL BLANK,SWITCH,LOWER STATION	EA	1
27	50124	QUALFIED OPERTOR PANEL	EA	1
*	NOT SHOWN	<b>7.4L BRAVO II MERC. S/D ENG. OPT CONTINUED</b>		



SM9547

ITEM NO.	PART NUMBER	PART DESCRIPTION	U/M	QTY.
<b>ENGINE SYSTEMS</b>				
*	57268	MOTOR MOUNT KIT (SM)	PR	1
*	37487	MOTOR MOUNT WASHERS	EA	4
*	34100	300HP-MOD. 330 MERC BRAVO II ENG,SD	EA	1
*	51728	18-1/4 X 19 PROP	EA	1
*	54201	3" EXHAUST RISER EXTENSION KIT	KT	1
*	36618	RISER ELBOW BRAVO V-8	EA	1
*	02031	TEMP SENDER DUAL 3/8 NPT	EA	1
*	02504-1	OIL SENDER DUAL	EA	1
<b>SHIFTER &amp; CONTROL CABLE</b>				
*	53545	SHIFT/THROT W/NEUTRAL SAFETY SWITCH	EA	1
*	53546	SHIFT/THROTTLE W/O NEUTRAL SAFETY S	EA	1
*	1427	25' SUPREME CABLE 10/	EA	1
*	1428	26' SUPREME CABLE 10/	EA	1
*	1425	23' SUPREME CABLE 10/	EA	1
*	1426	24' SUPREME CABLE 10/	EA	1
*	14693	MERC CABLE CONNECTOR KIT	KT	2
<b>STEERING SYSTEM</b>				
*	11957	24' (RX-4) STR CABLE	EA	1
<b>ENGINE FUEL SYSTEM</b>				
*	694-EC	3/8BRB X 1/4MIP BRS M ADP	EA	1
*	624	HOSE,FUEL FEED,3/8"-	FT	4
*	2B-9SE	1/4 90 D BRS ST L	EA	1
*	NOT SHOWN			