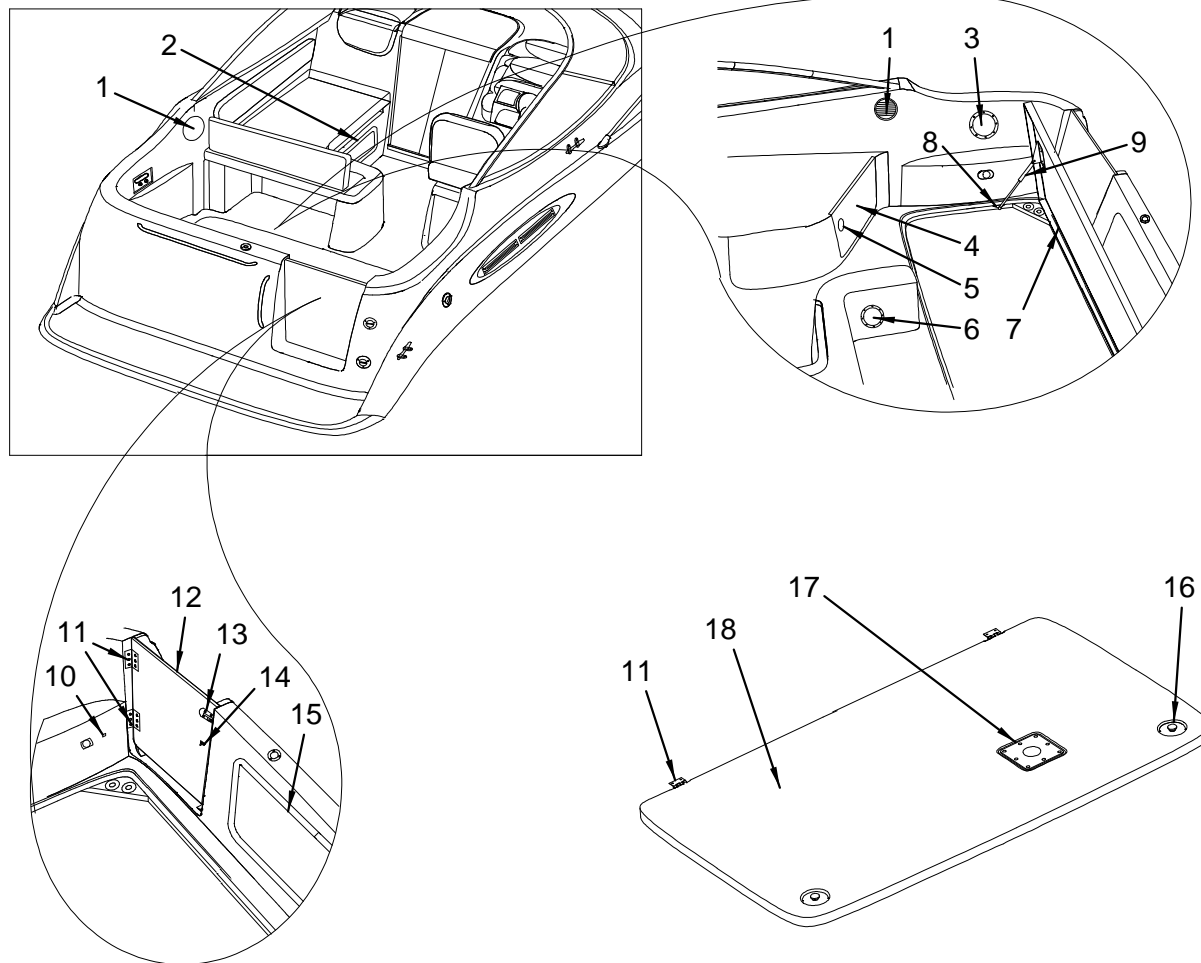


COCKPIT (AFT VIEW)



COCKPIT (AFT VIEW)

- 1 1717975 SPEAKER, 5" SUEDE
- 2 1697241 PORTLIGHT, 7" X 24" WHT
- 3 1706468 DECK PLATE, POP-OUT 6" NON-SKID ARCW
- 4 1718023 DOOR, HELM STRG BIFOLD 1/2" HDPE ARCW
- 1705174 TRIM EDGE, 5/16" W/SIDE MOUNT BULB
- 1718318 FIDDLE, STRG CKPT 3/4" HDPE ARCW
- 5 1692905 LATCH, RND NON-LOCKING BLK
- 6 1706467 DECK PLATE, SCREW IN 4" WHT
- 7 1693039 SEAL, HATCH D-SEAL W/ADHESIVE
- 8 1703070 BRACKET, FLUSH MOUNT SS
- 9 1703598 CYLINDER, 20"LONG X 8"STROKE X 60LB
- 10 1704745 SPACER, 1" BALL STAND OFF .005# EA
- 11 1702325 HINGE, BUTTERFLY CHR 2"X 3"X 6 HOLE
- 12 1718314 DOOR, TRNSM 1/2" ARCW
- 13 1706683 BOLT, BARREL MED
- 1702414 BOLT, BARREL INSERT BLK
- 14 1704143 BRACE, W/S SOCKET F/OPEN CENTER .005# EA
- 15 1702206 TRIM EDGE, WHT
- 16 1701355 HANDLE, ENG HATCH CVR LIFT HANDLE
- 17 1703116 TABLE POST MOUNTS, BASE W/STUD ALUM ANODIZED
- 18 1739699 245SB 03,LAM,ENG HATCH
- 1702916 INSULATION, SOUND FOAM W/PSA 1" 100 SF/ROLL