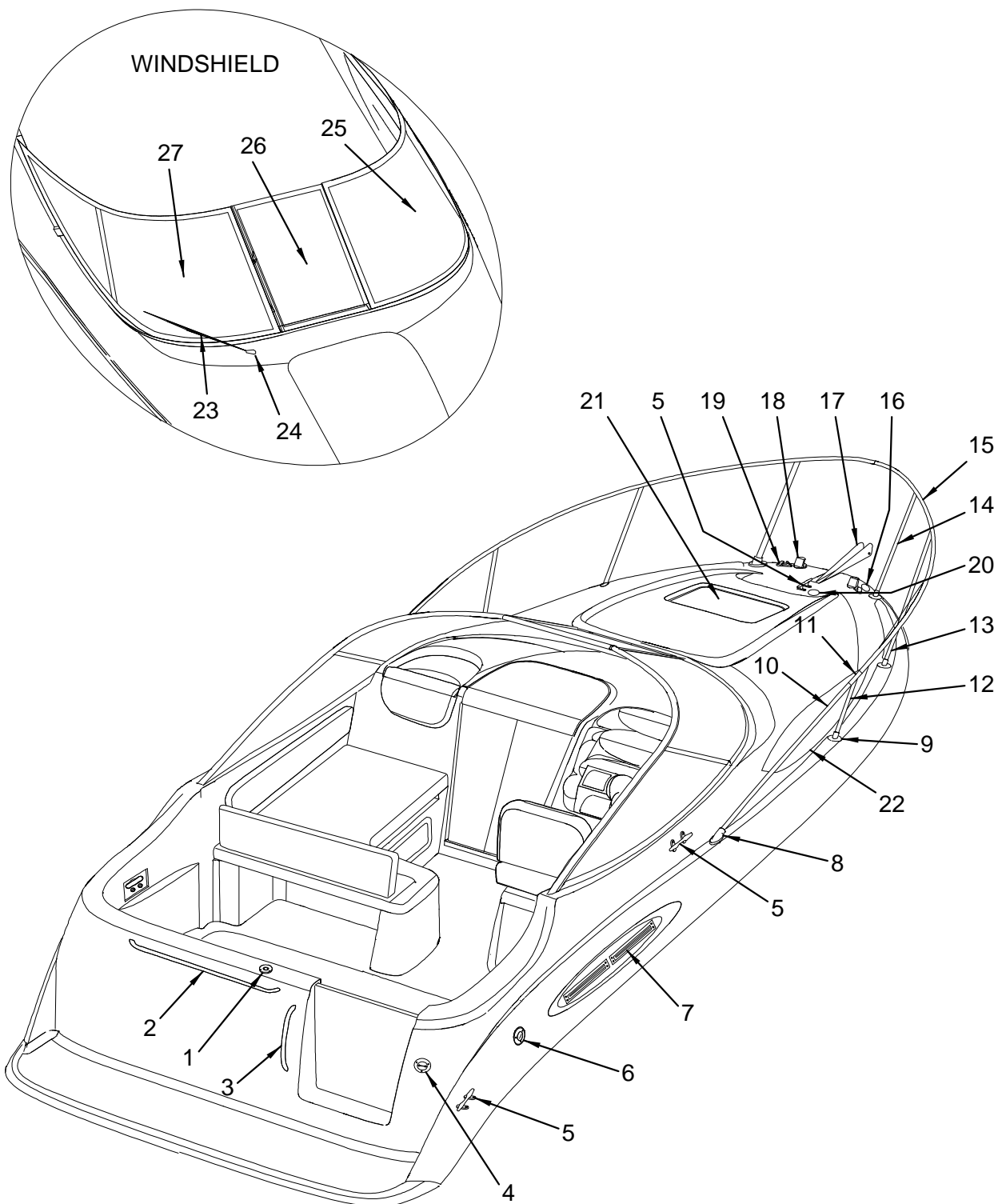


EXTERIOR (DECK)



**EXTERIOR (DECK)**

1	1693038	LIGHT, NAV CURVED POLE 71"
2	1704569	RAIL, SS SUNLOUNGE 28.5"
3	1705136	RAIL, GRAB SS 10.5"X 7/8"
4	1698188	DECK PLATE, WTR FILL CHR/BRONZE 1.5"
5	1705671	CLEAT, 8" 4-HOLE SS
6	1698181	DECK PLATE, GAS FILL CHR/BRONZE 1.5"
	1704907	THRU-HULL, PLASTIC 5/8" WHT
7	1717976	VENT, LOUVER 2X15 ARCW
	1702367	SPACER,FLANGE OVAL 4" BLK
8	1733712	FITTING, RAIL BASE 30DEG RECT SS
9	1727364	FITTING, RAIL BASE SS 60DEG RND
10	1692434	METAL AND PLASTIC, RAIL BOW HEEL 7/8" SS
11	1727365	FITTING, RAIL TEE 60DEG UNIV SS
12	1692437	METAL AND PLASTIC, RAIL BOW STNCHN TUBE AFT
13	1692436	METAL AND PLASTIC, RAIL BOW STNCHN TUBE MID
14	1692435	METAL AND PLASTIC, RAIL BOW STNCHN TUBE FWD
15	1692433	METAL AND PLASTIC, RAIL BOW NOSE 7/8" SS
16	1702264	HORN, UNDER DECK 12VDC WHITE GRILL
17	1692455	ROLLER, ANCHOR
	1698265	BRACKET, ALUM ANGLE ANCHOR DEAD END
18	794826	LIGHT, NAV SIDE WHT HORZ 12V
19	1705809	CHAFE PLT, ROPE CHOCK SS
20	1701670	PIPE, DECK/HAWSE ROPE PLAS
21	1718362	HATCH, W/TRIM 16 1/2" X 16 1/2" ACRY ARCW
	1695706	SCREEN, HATCH 16 1/2" X 16 1/2"
22	1706256	WINDSHIELD, WINDOW ASSY STB W/BLK FRAME
	1706254	WINDSHIELD, WINDOW ASSY PRT W/BLK FRAME
23	1692855	WIPER ARM, PANTOGRAPH 26" ADJUSTABLE
	1702777	WIPER ARM, ADAPTER PANTAGRAPH HEAVY DUTY
	1702213	WIPER BLADE, 18" FLEX BLK
24	1702776	WIPER MOTOR ASSY, ADJ DG 2" SHAFT CW

**NOT SHOWN**

1703056	GUNWALE, ETCHED NARROW 10' W/CHAMF QG2
1727585	INSERT, GUNNEL 1/2" REGENT BLUE 250' RL

**WINDSHIELD**

1692401	SPACER, W/S STANDOFF 2.5" BLK NYLON PLAS	
1692440	METAL AND PLASTIC, W/S BCE PRT 16.5"7/8TUBESS	
1692441	METAL AND PLASTIC, W/S BRACE STB 10.50"TUBESS	
1701821	MOLDING, D-SEAL 1/61" PSA BLK	
1703430	COVER, SCREW D-SHAPE 24'	
1748281	LATCH, WINDOW ROTATING PLAS	
1789115	WINDSHIELD, FASTENER, SCR, SS 10X 3/8 B18-8 (used with p/n 1789115)	
1789116	WINDSHIELD, HARDWARE, HINGE, BLK (used with p/n 1789116)	
25	1747357	W/S, 245SB-03 PNL PRT FRNT ASSY F/1735914
26	1747364	W/S, 245SB-03 PNL CTR FRNT ASSY F/1735914
27	1747363	W/S, 245SB-03 PNL STB FRNT ASSY F/1735914