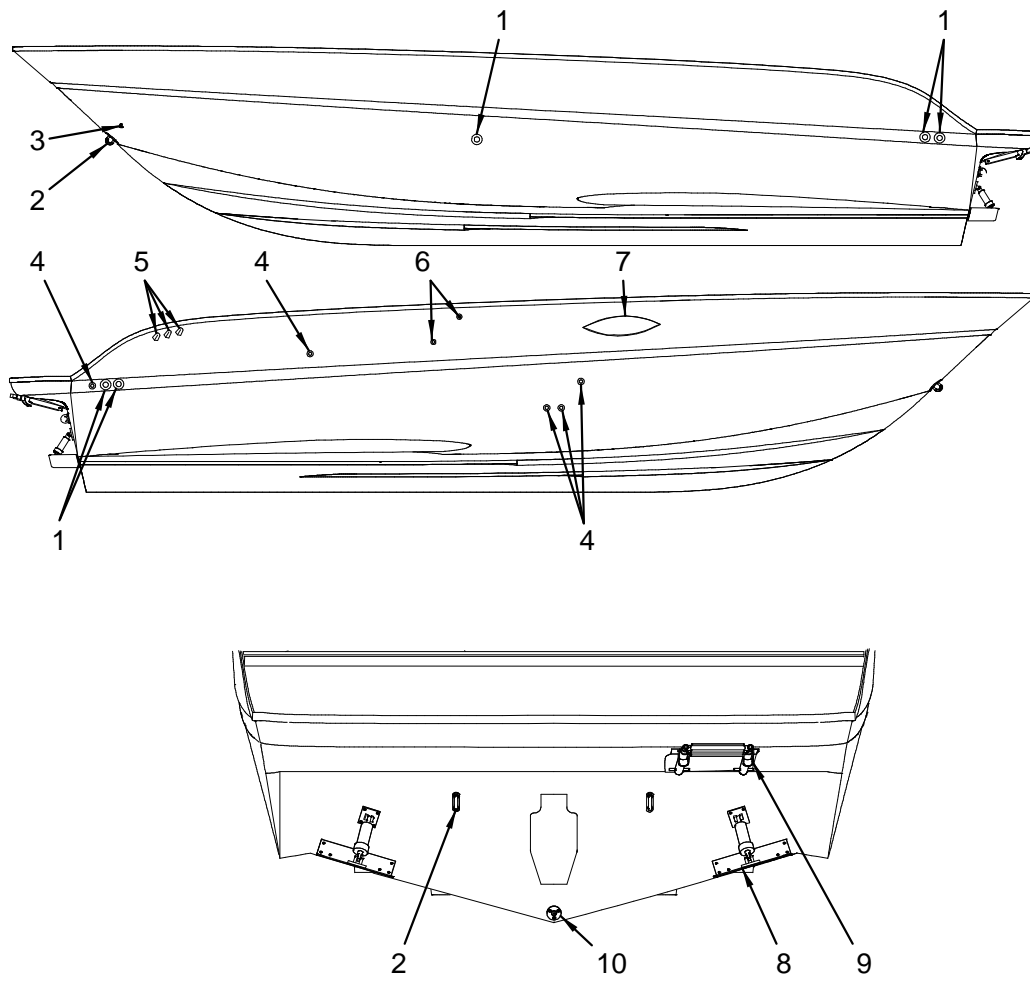


**EXTERIOR (HULL)**



**EXTERIOR (HULL)**

- 1 1704933 THRU-HULL, PLASTIC 1.5"
- 2 1694685 EYE, BOW/STERN 1/2"X 3 7/16" SS
- 3 126870 VENT, CLAMSHELL ROPE LCKR 1 5/8"X 1.5"
- 4 1704923 THRU-HULL, PLASTIC 3/4" WHT
- 5 1701138 VENT, TANK SQUARE
- 6 1704907 THRU-HULL, PLASTIC 5/8" WHT
- 7 1692580 PORTLIGHT, OVAL 6" X 16" WHT FROSTED
- 8 1699018 TRIM TAB, 12"
- 9 1696155 LADDER, SS 3-STEP TELESCOPING
- 1790270 CLIP, LADDER FOR 1692453/6155/9041 1702803
- 1701441 WEBBING, NYLON 1" BLK 50YDRL
- 10 1702027 GARBOARD DRAIN, FLANGE