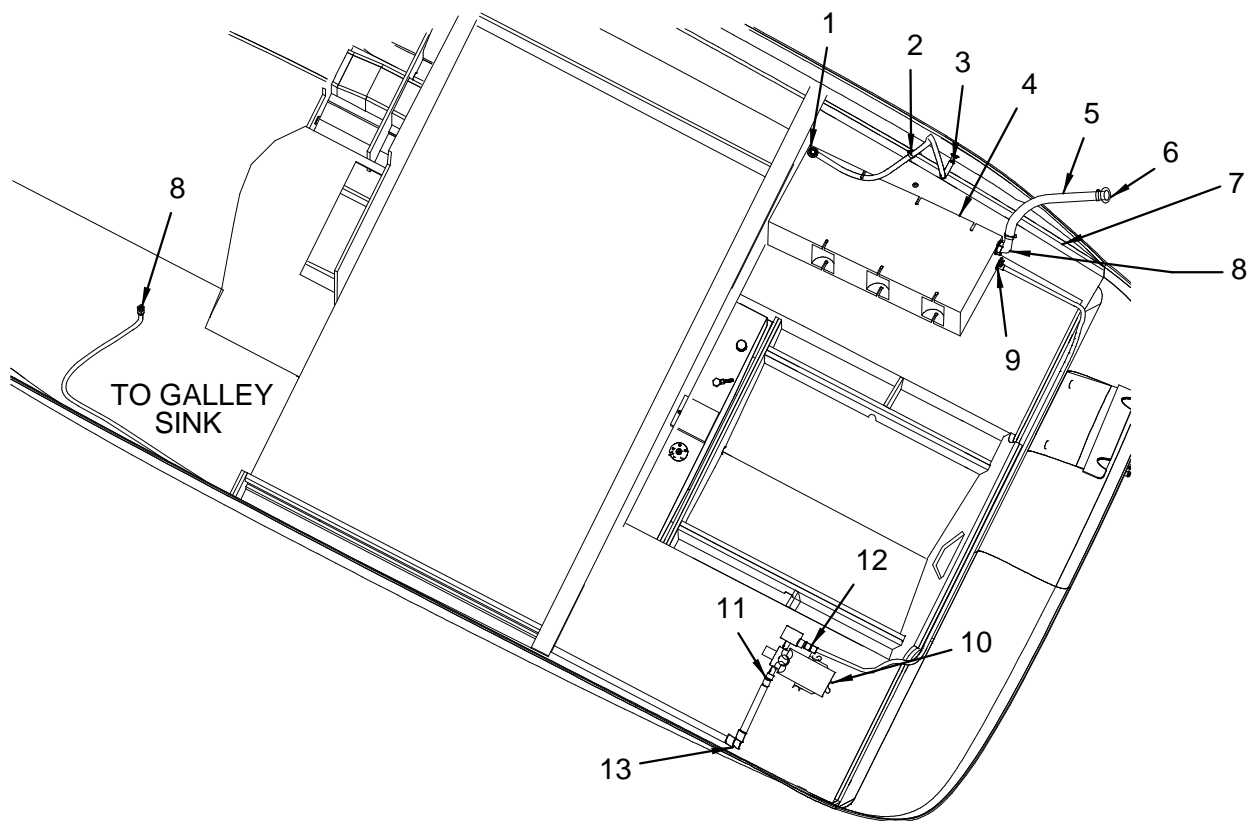


WATER SYSTEM**WATER SYSTEM**

1	167874	ELBOW, GENOVA 1/2"MPT X 1/2"BARB X 90DEG
2	1698567	HOSE, PVC CLEAR 9/16"X 7/8"
3	1701138	VENTS, TANK SQUARE
4	1699442	WATER TANK, MDPE 20 GALLON
5	1692954	HOSE, PVC 1.5" WHT
6	1698188	DECK PLATE, WTR FILL CHR/BRONZE 1.5"
7	1693256	HOSE, WATER 15MM TUBING BLUE
8	1698928	ELBOW, 1-1/2" MALE 90 DEGREE NYLON
9	1693254	ADAPTER, ML 1/2"MPT TO 15MM
10	1705298	RAW WATER PUMP, W/SS SCRN
11	1693250	ELBOW, ADAPTER SWIVEL FML 1/2" X 15MM
12	1693253	ADAPTER, FML 1/2" TO 15MM
13	1693249	ELBOW, EQUAL 15MM X 15MM

NOT SHOWN

1693278	COUPLING, EQUAL STRAIGHT 15MM X 15MM
1701344	EYE, STRAP CHR
1702532	CLEAT, SEAT 4" BLK
1703699	LABEL, STICKER POTABLE WTR WARNING
1726871	SWITCH, SGL WTR SURFACE MNT